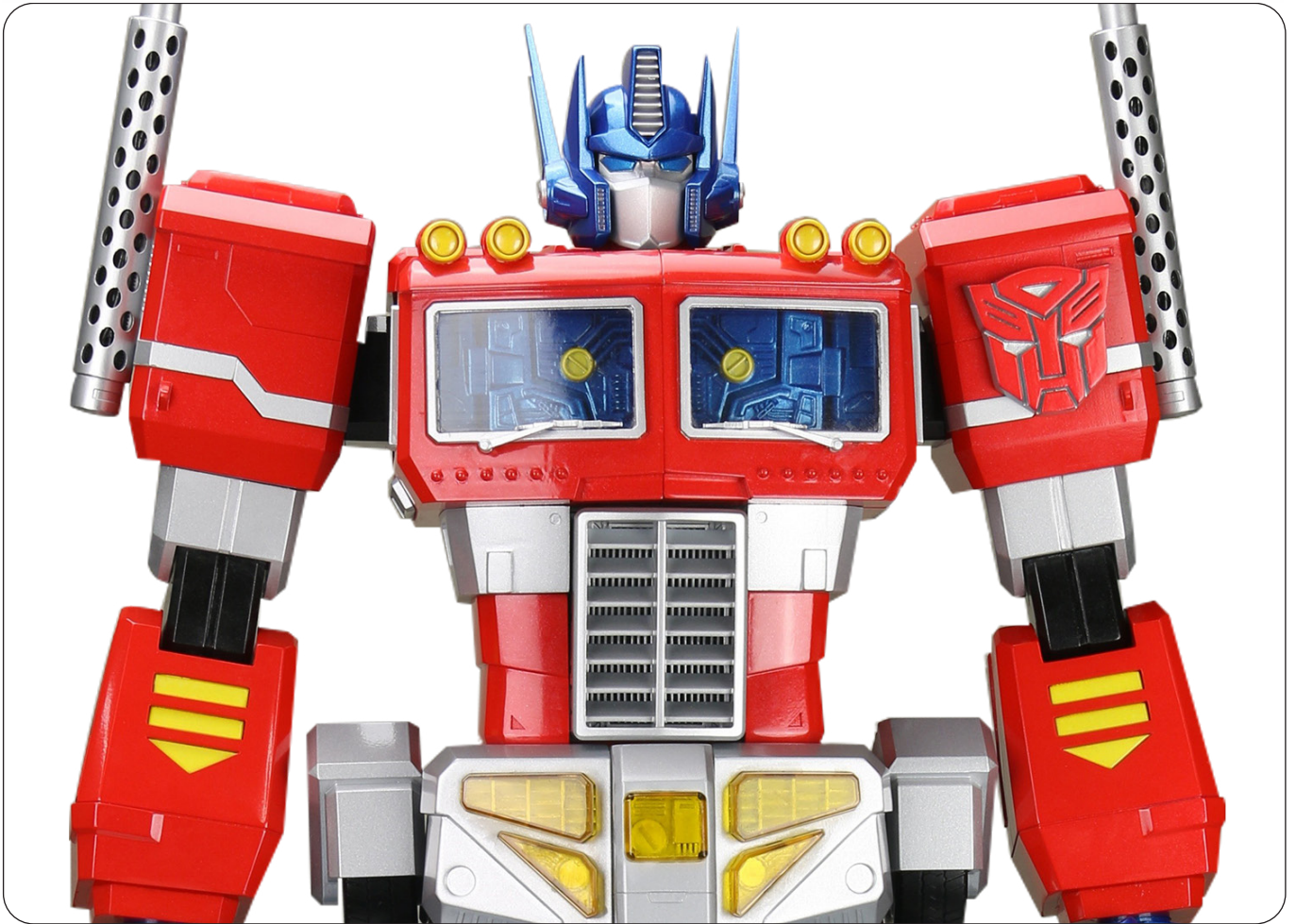


# OPTIMUS PRIME



## Pack 06

### BUILD INSTRUCTIONS

- ASSEMBLING THE FEET - PART 1
- ASSEMBLING THE FEET - PART 2
- ASSEMBLING THE FEET - PART 3

**AGORA**  
MODELS®

# Advice from the experts

---

 **Please keep ALL unused screws as they may be required in a later stage.**

Please make sure you don't mix up the screws. They look quite similar, but the threads do vary slightly. Using the wrong screws may damage the parts.

When securing parts together using multiple screws, fit each screw loosely to ensure all the parts are correctly aligned before gently tightening them firmly, but not overtight, in the order in which you placed them.

The screwdriver can be magnetized by stroking it with a magnet (fridge magnet, etc.) enabling it to hold the screws and make assembly easier.

If a screw is tight going into a metal part, do not force it as you may shear the head off. Remove it and put a tiny smear of Vaseline, soap or light oil on the thread. That will lubricate it and make it easier to drive home.

Some parts will require a little glue for assembly. Please apply glue sparingly and use a cocktail stick so that you don't use too much nor apply the glue too heavily. We recommend superglue gel or Extra Thin Liquid modeling glue. Where possible, parts should be test-fitted in place before gluing.



Look out for the glue symbol and apply glue to the red area indicated in the picture.

During the course of this build, you will receive many pieces that you will assemble immediately – following the instructions in the corresponding stage – and other pieces that you should store in the tray supplied, for use in future assembly stages.

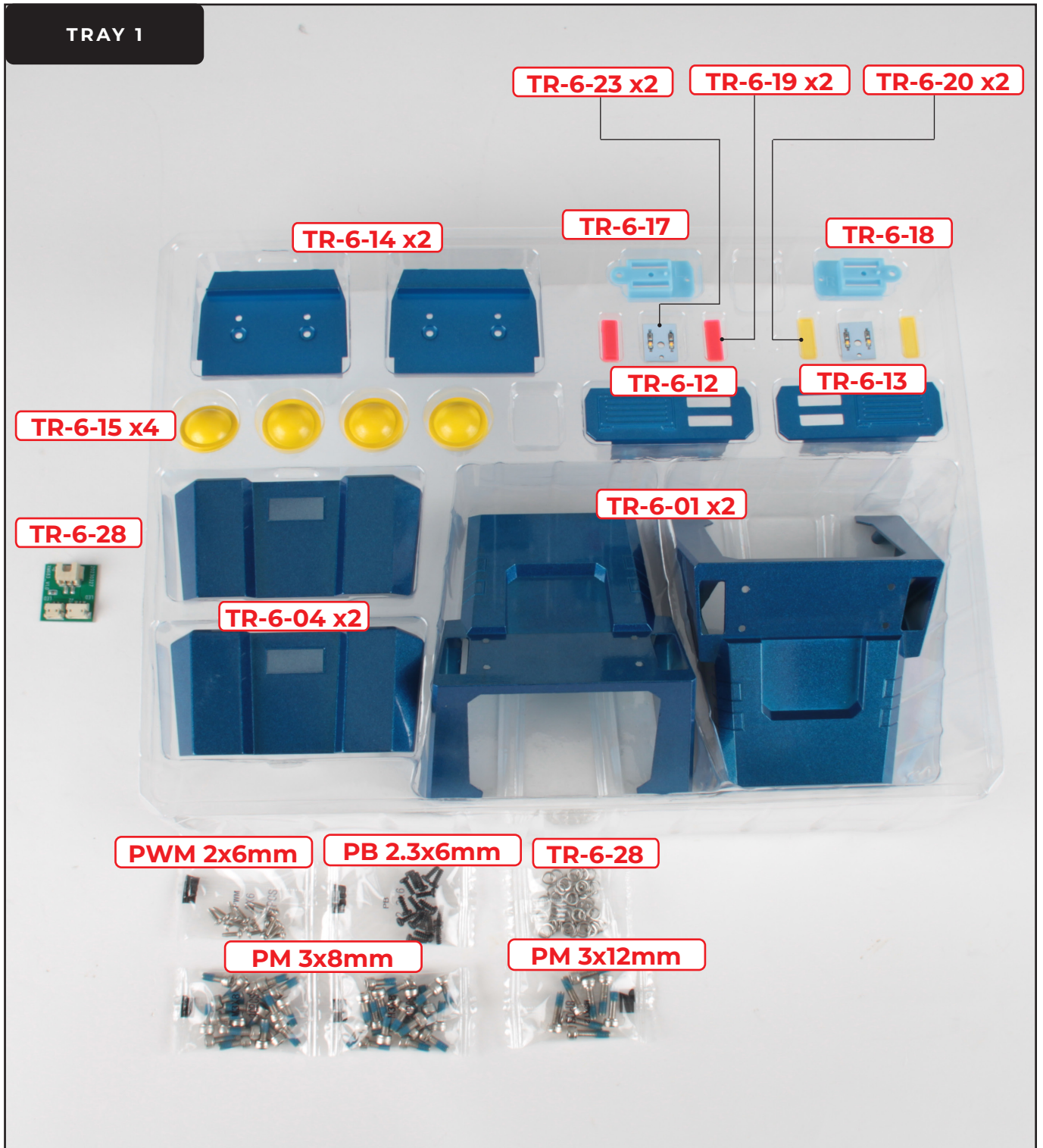
Always protect the paint finish on components by placing a cutting mat, sheet of white paper or soft cloth on your work surface.

Left and Right! When building your Optimus Prime, the left or right hand side refers to each side as viewed by Optimus Prime. Optimus Prime's left arm is on the viewer's right.

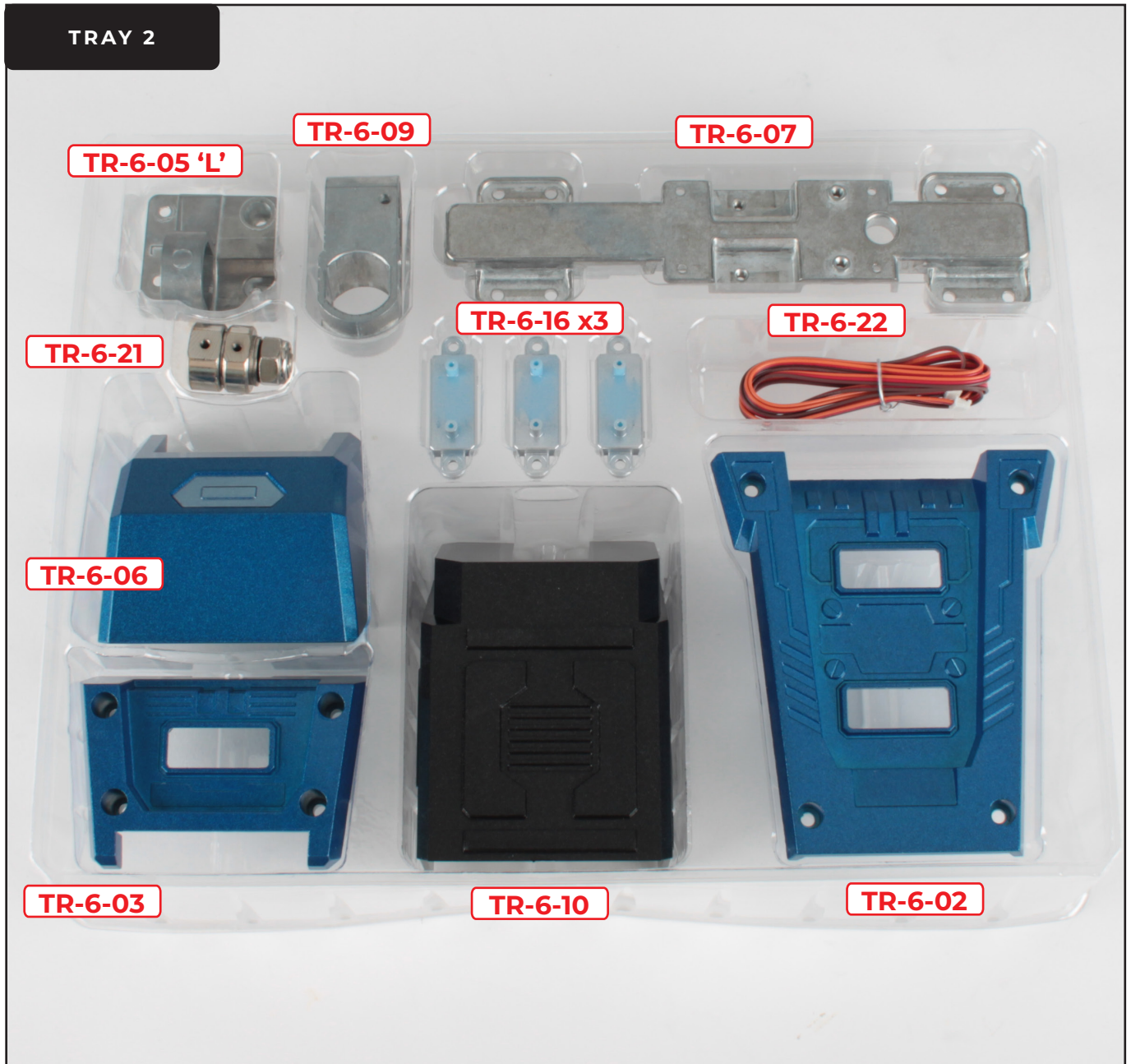


**WARNING:** Some parts are assembled using magnets. These magnets can cause serious injury if they are swallowed. Keep away from children. If you suspect a magnet has been swallowed, seek medical help straight away.

# Pack 6 Parts

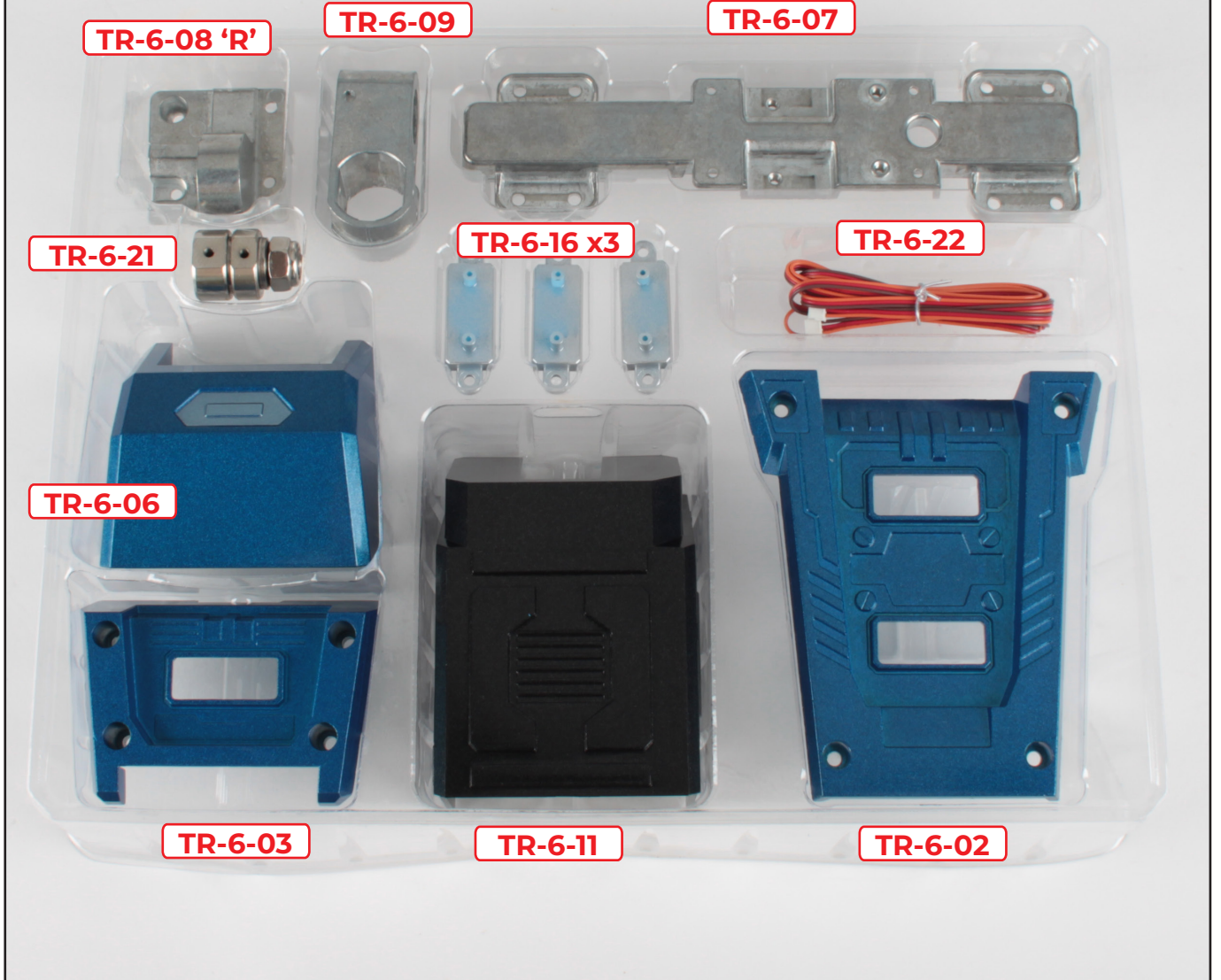


# Pack 6 Parts



# Pack 6 Parts

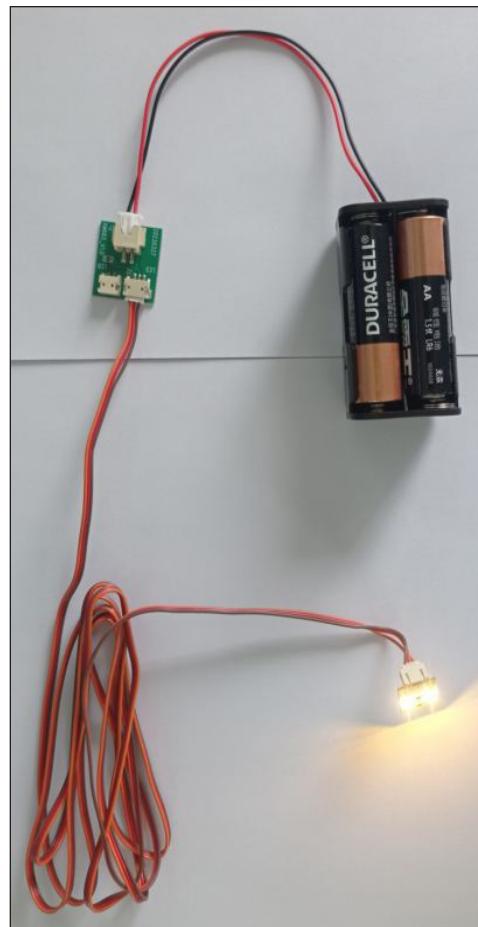
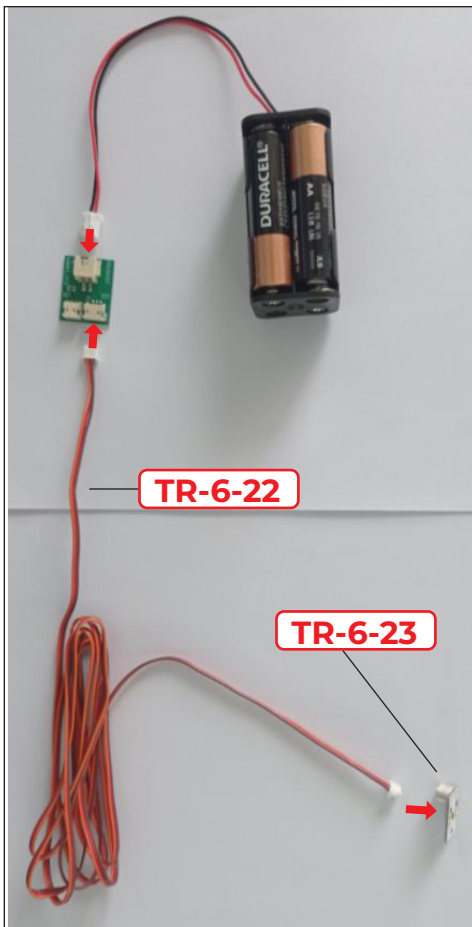
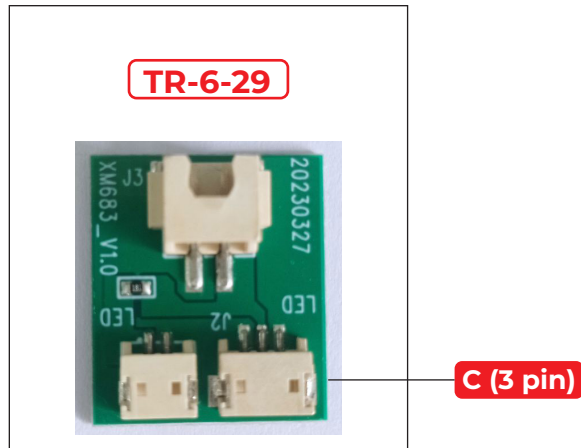
TRAY 3



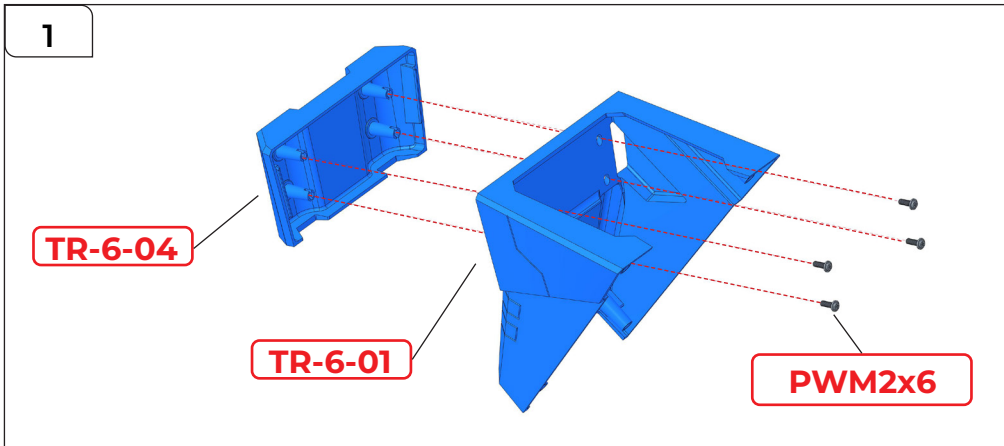
# Testing the electronics

Before you begin, check the electronic parts:

Plug the battery pack supplied in Pack 1 into the circuit board TR-6-29.  
Plug the LED on cable TR-6-22 into part TR-6-23, then plug the socket on the other end into the 3-pin plug on the circuit board (c).



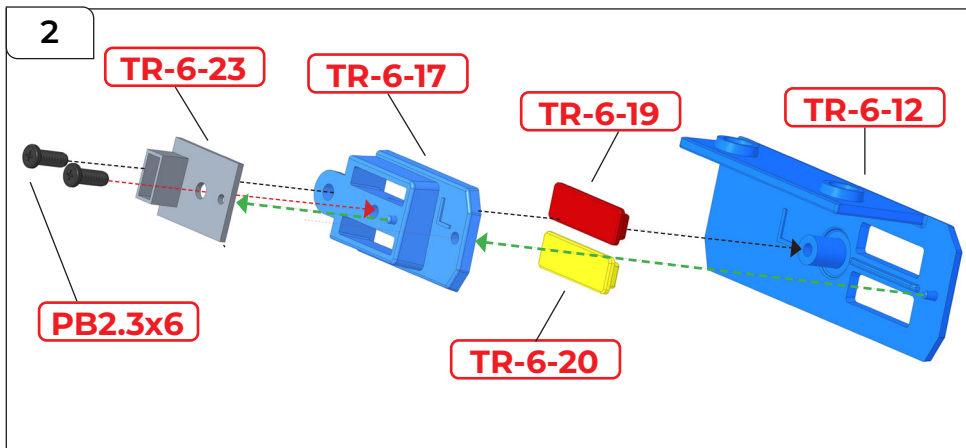
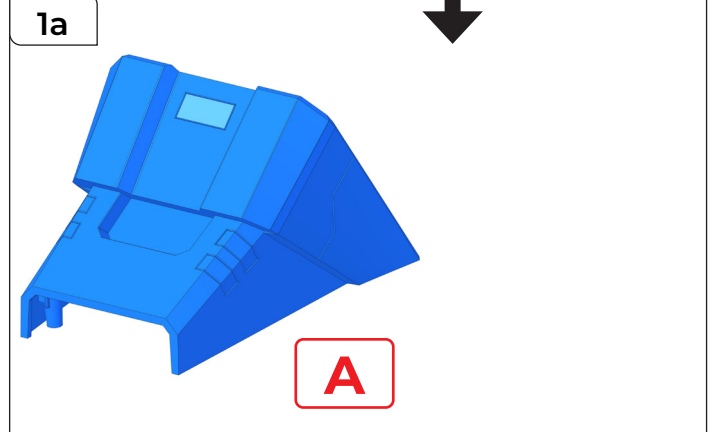
# Assembling the Feet – Part 1



## STEP 1

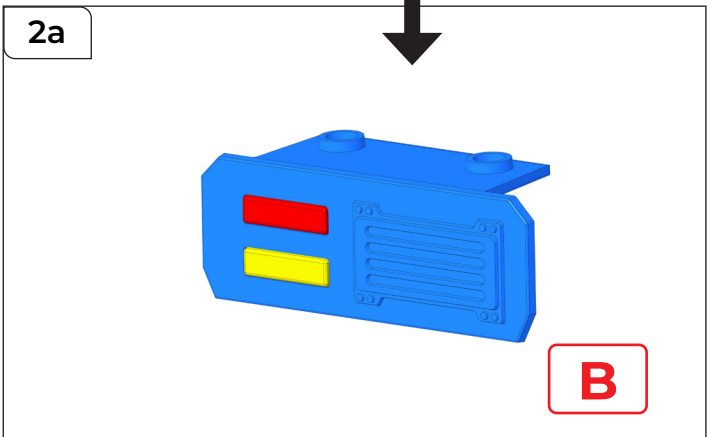
Attach TR-6-04 to 01 and secure using 4x PWM2x6 mm screws.

Repeat to make two of these.

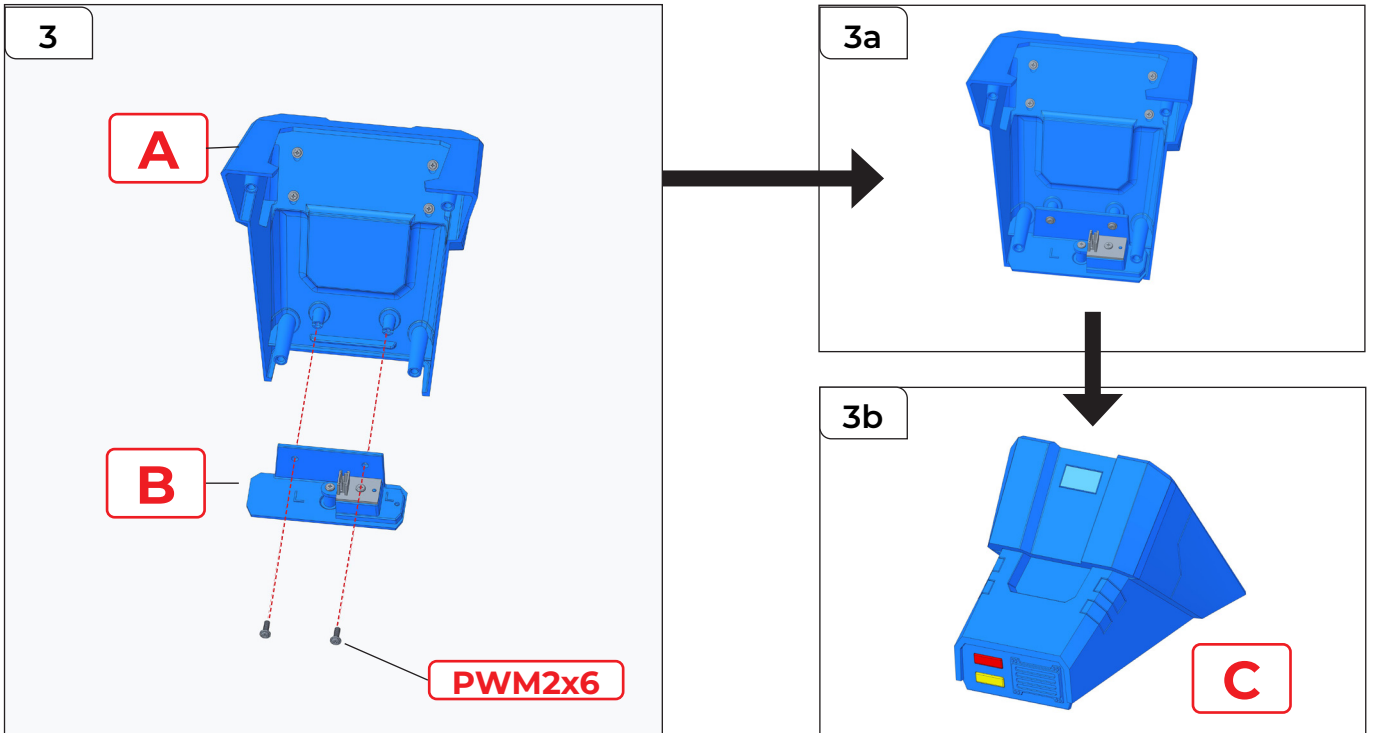


## STEP 2

Attach TR-6-19, 20 and 17 to TR-6-12, then attach TR-6-23 to 17. Secure the assembly together using 2x PB2.3x6 mm screws.

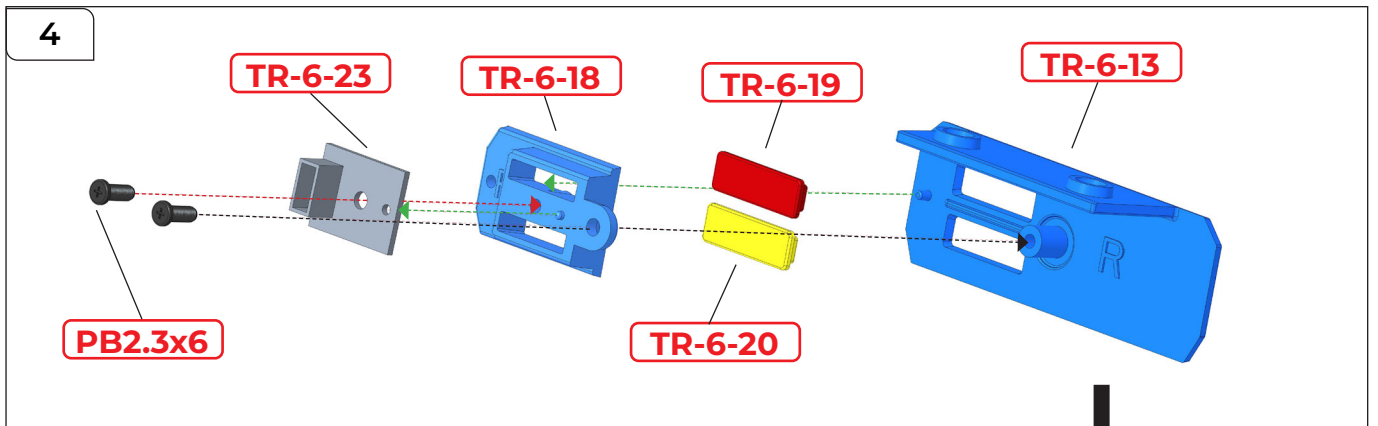


# Assembling the Feet – Part 1



## STEP 3

Attach A to B and secure them using 2x PWM 2x6mm screws.

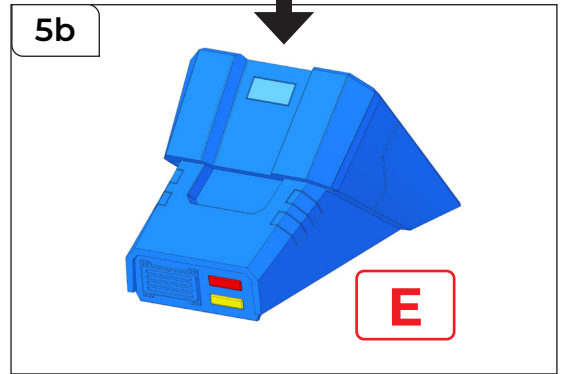
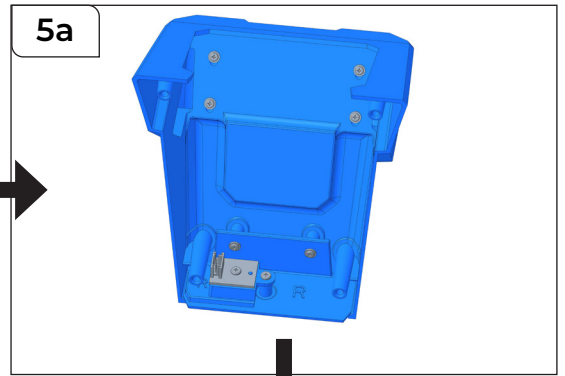
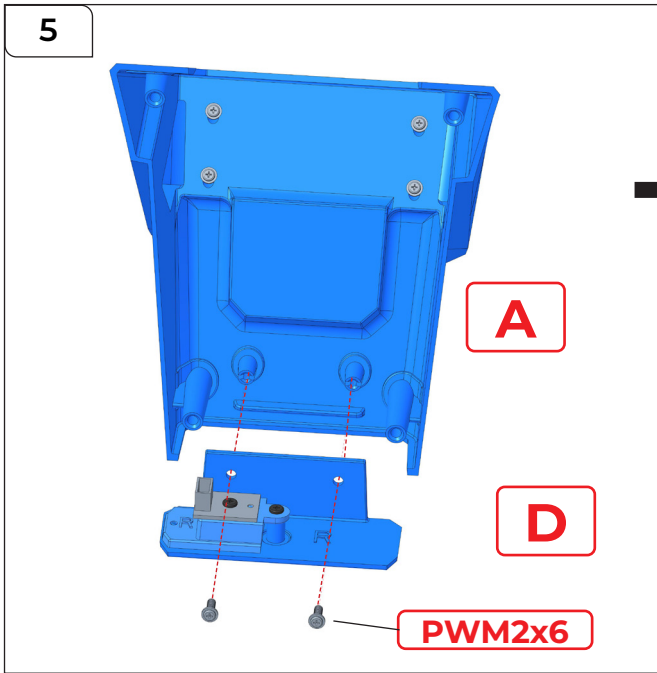


## STEP 4

Attach TR-6-19, 20 and 18 to TR-6-13, then attach TR-6-23 to 18. Secure the assembly together using 2x PB2.3x6 mm screws.

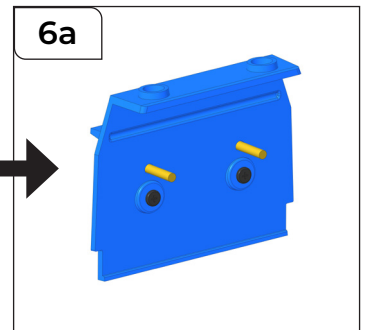
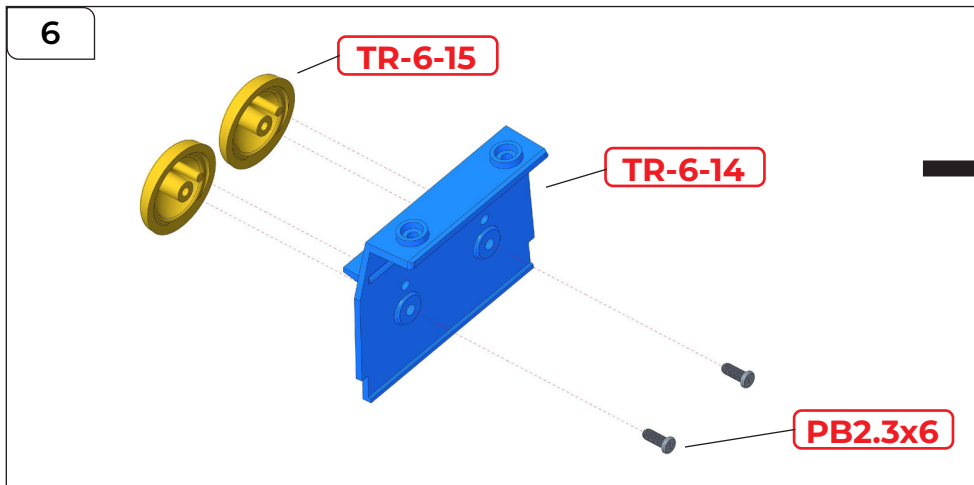


# Assembling the Feet – Part 1



## STEP 5

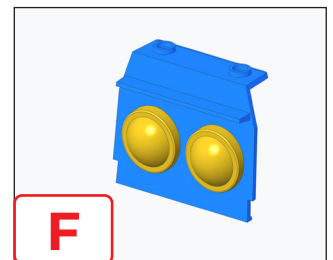
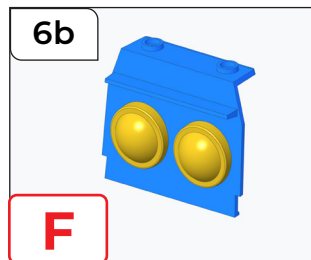
Attach A to D and secure them using 2x PWM 2x6mm screws.



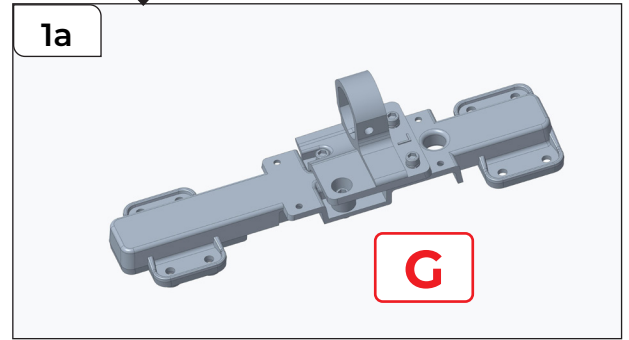
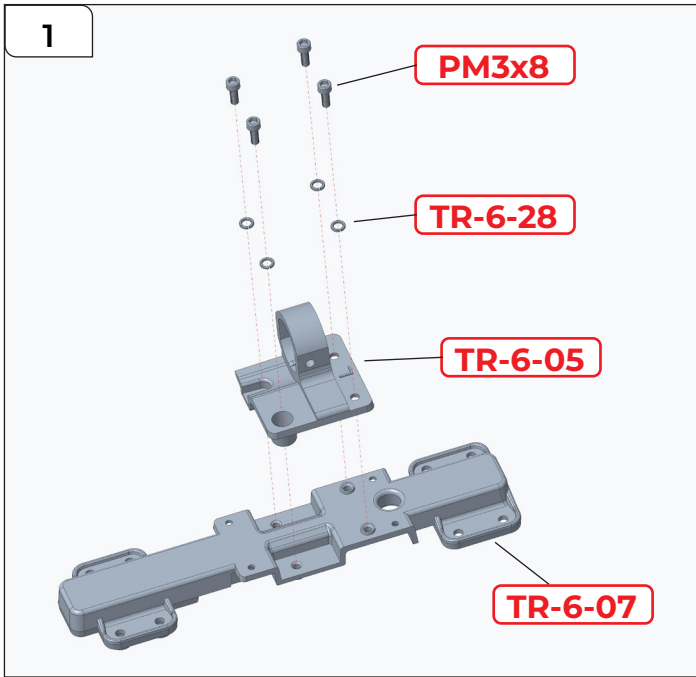
## STEP 6

Push 2x TR-6-15 into 14 and secure them using 2x PB2.3x6 mm screws.

Repeat to make 2 of these.

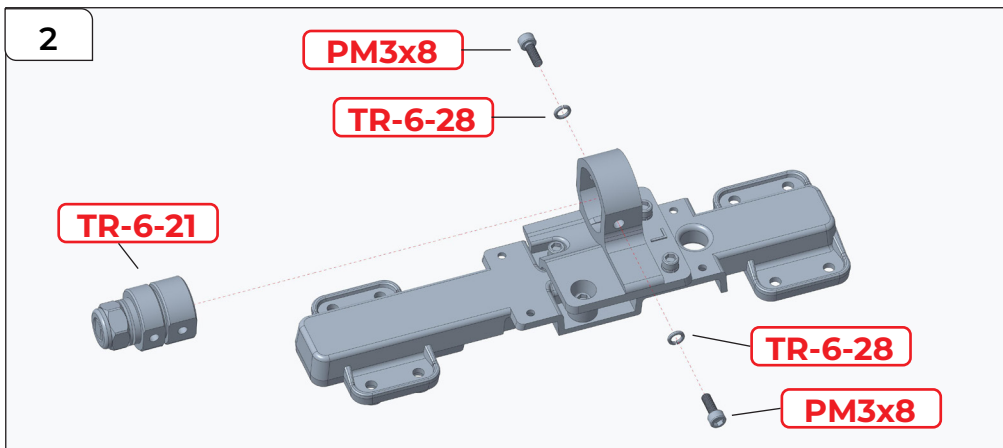


# Assembling the Feet – Part 2



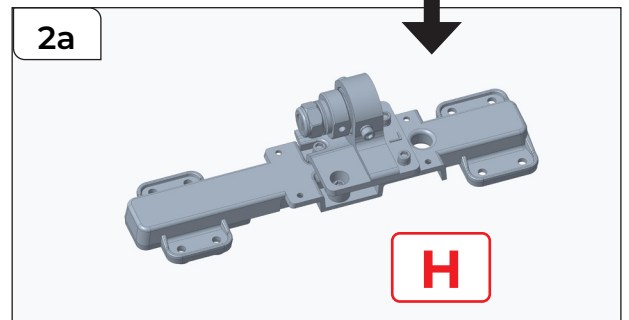
## STEP 1

Attach TR-6-05 to 07. Thread washers TR-6-28 onto PM3x8 screws and use them to fix the assembly together.

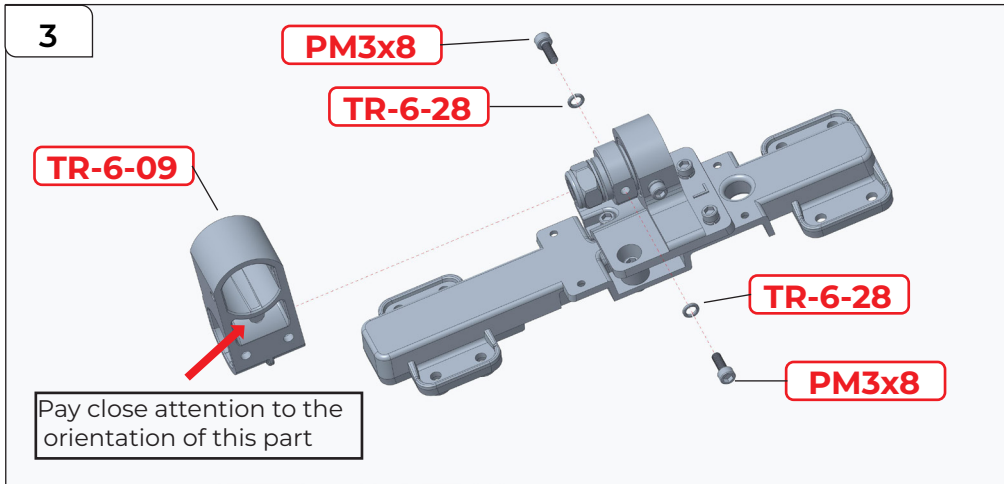


## STEP 2

Attach TR-6-21 to G. Thread washers TR-6-28 onto PM3x8 screws and use them to secure the assembly together.

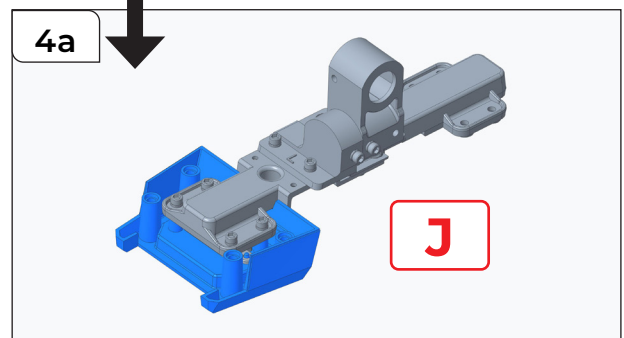
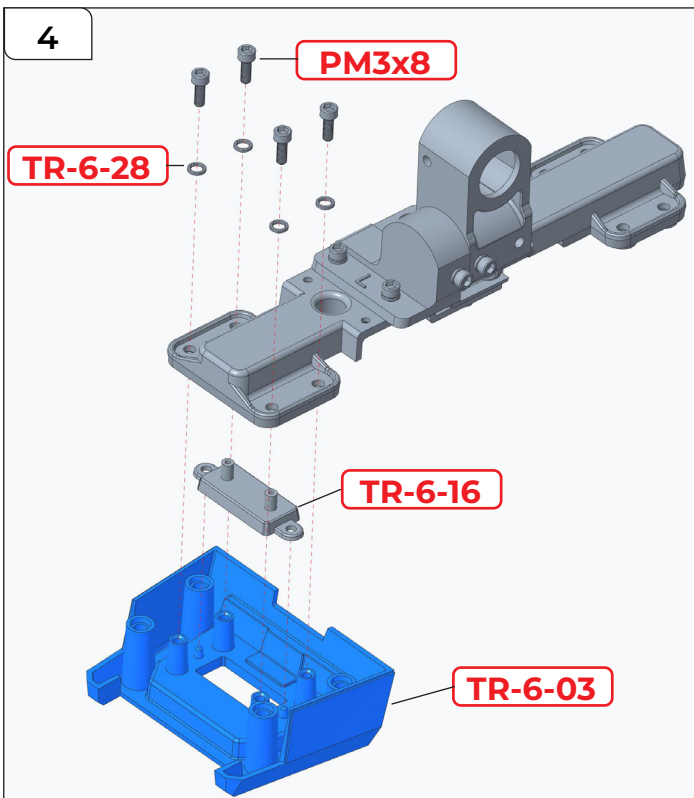
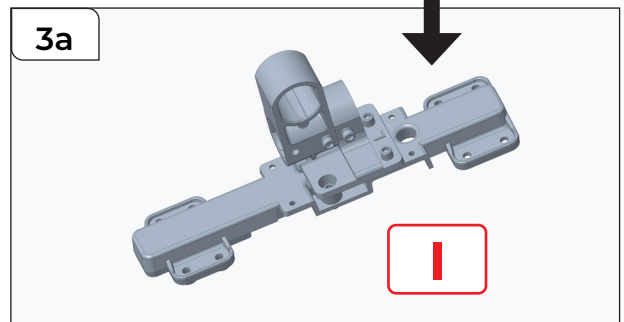


# Assembling the Feet – Part 2



## STEP 3

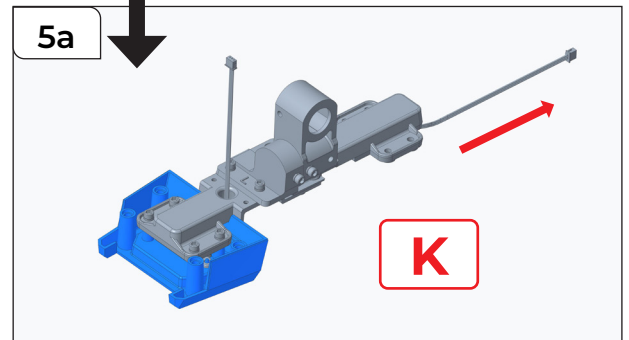
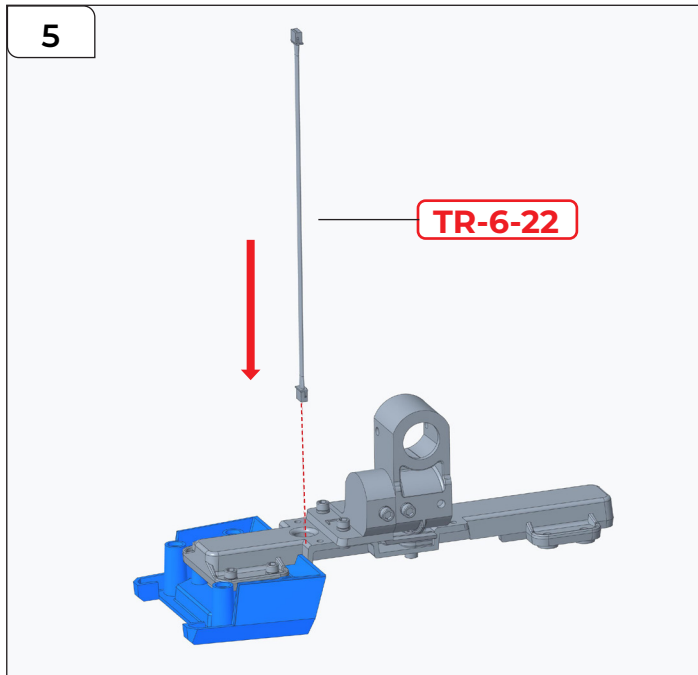
Attach TR-6-09 to H. Thread washers TR-6-28 onto PM3x8 screws and use them to fix the assembly together.



## STEP 4

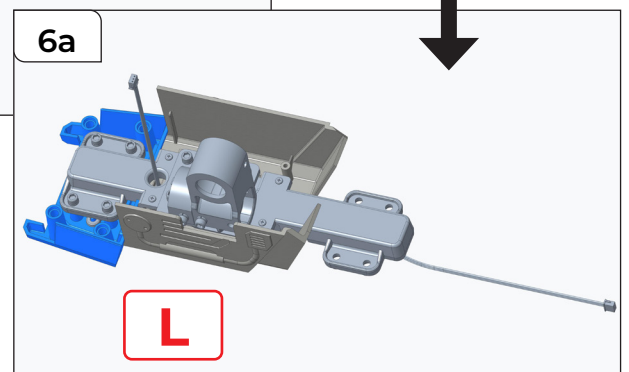
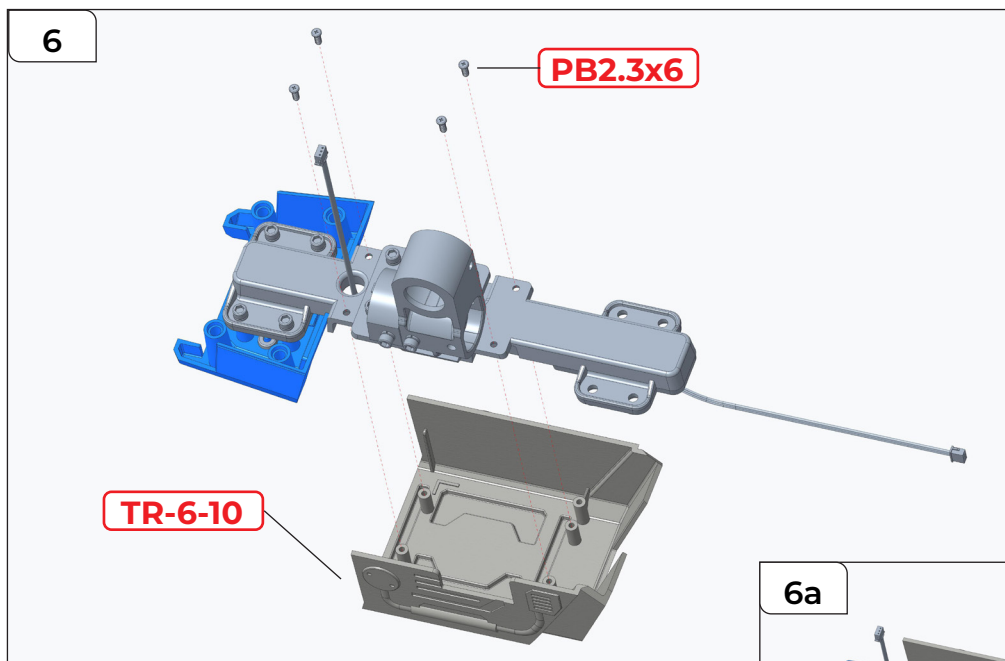
Attach TR-6-16 and 03 to I. Thread washers TR-6-28 onto PM3x8 screws and use them to secure the assembly together.

# Assembling the Feet – Part 2



## STEP 5

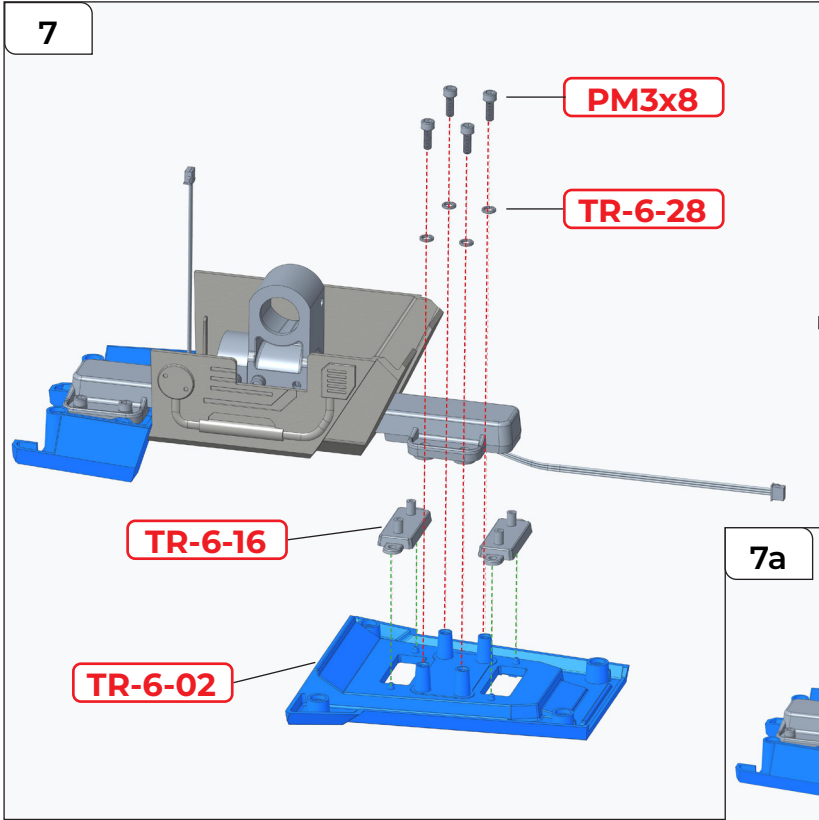
Thread cable TR-6-22 through J as shown.



## STEP 6

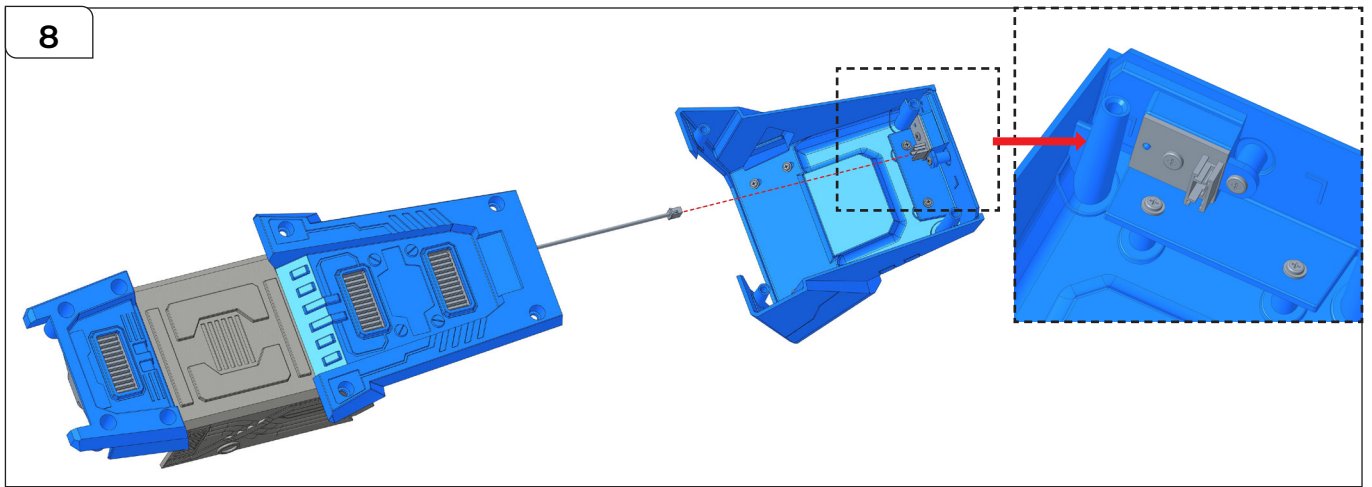
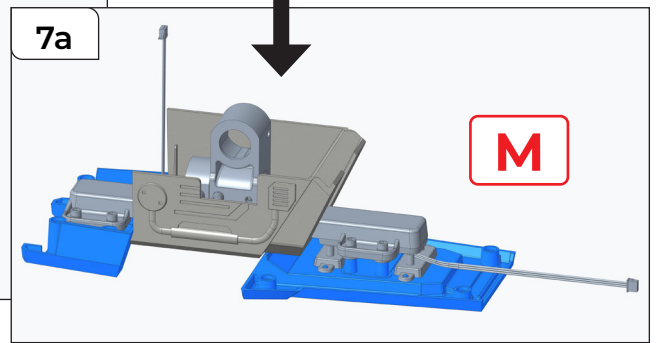
Attach TR-6-10 to K and secure them using 4x PB2.3x6 mm screws.

# Assembling the Feet – Part 2



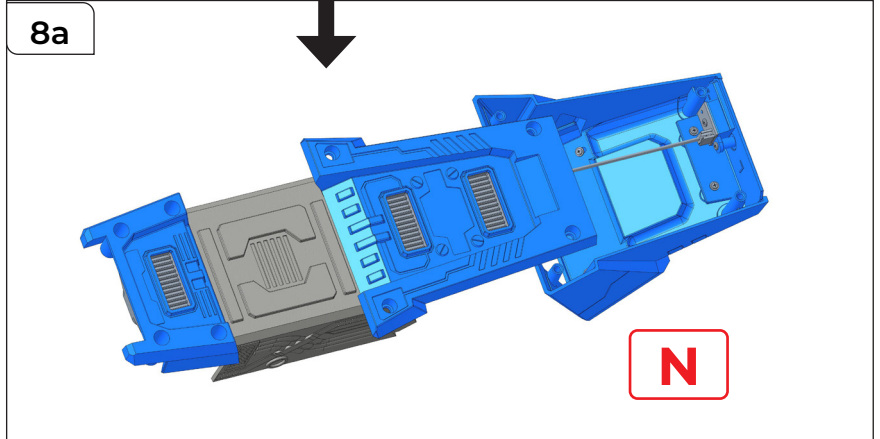
## STEP 7

Attach TR-6-16 to 02. Thread washers TR-6-28 onto PM3x8 screws and use them to secure the assembly together.

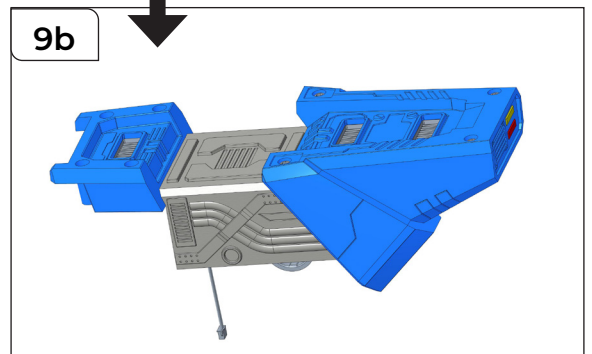
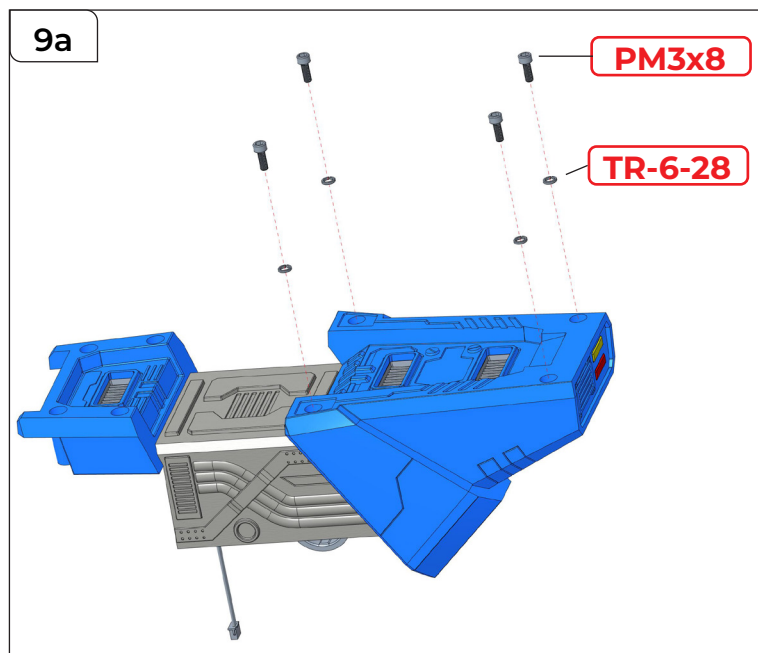
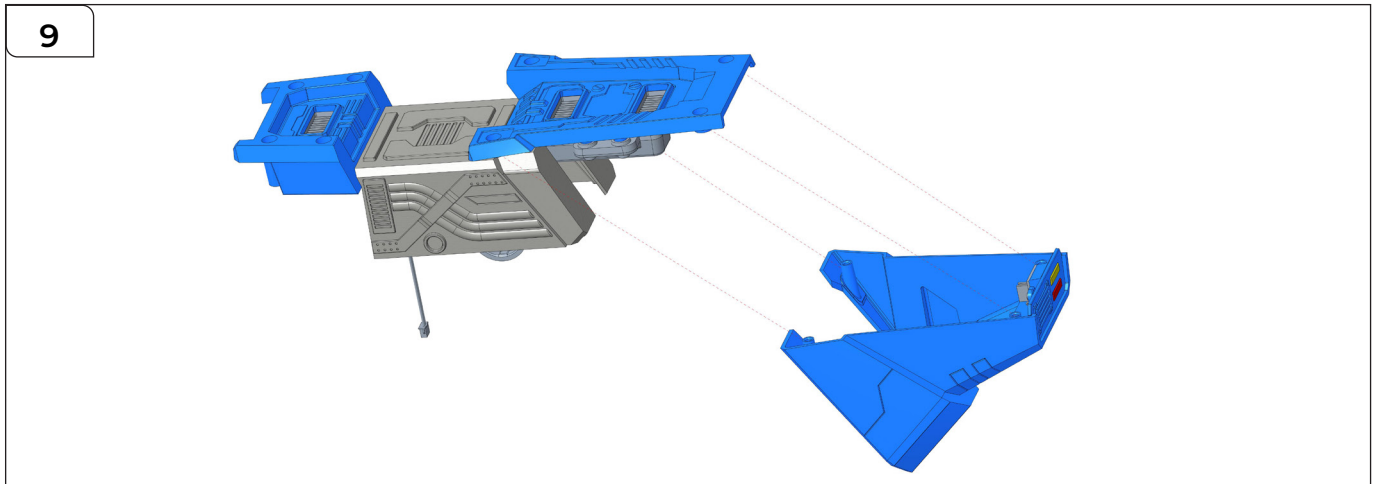


## STEP 8

Attach assembly C (page 8) to M as shown, plugging in the cable into the socket as shown in the inset image.

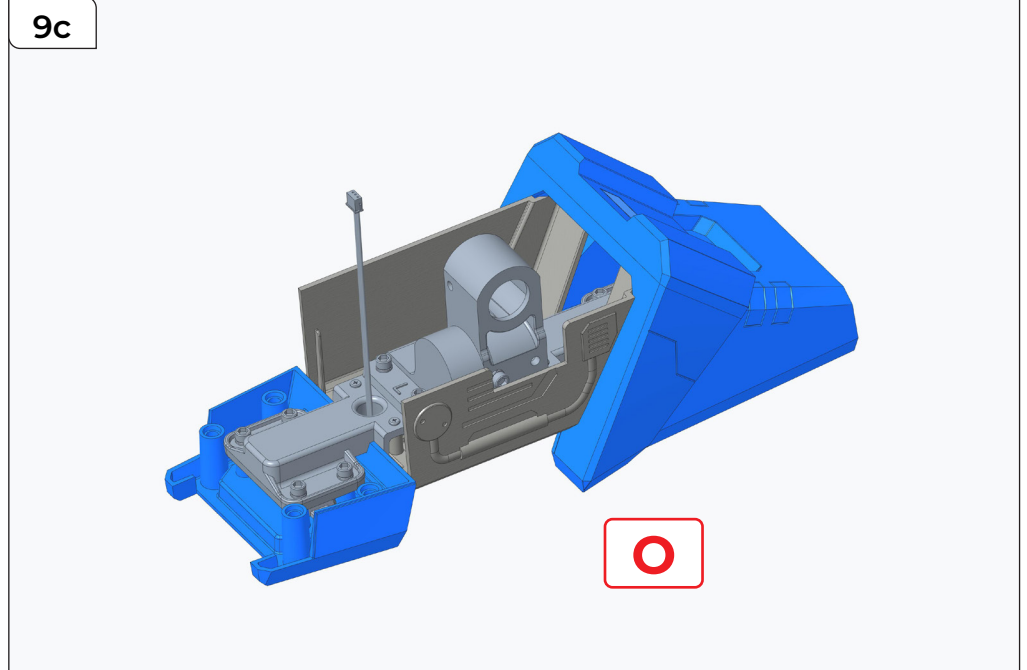


# Assembling the Feet – Part 2

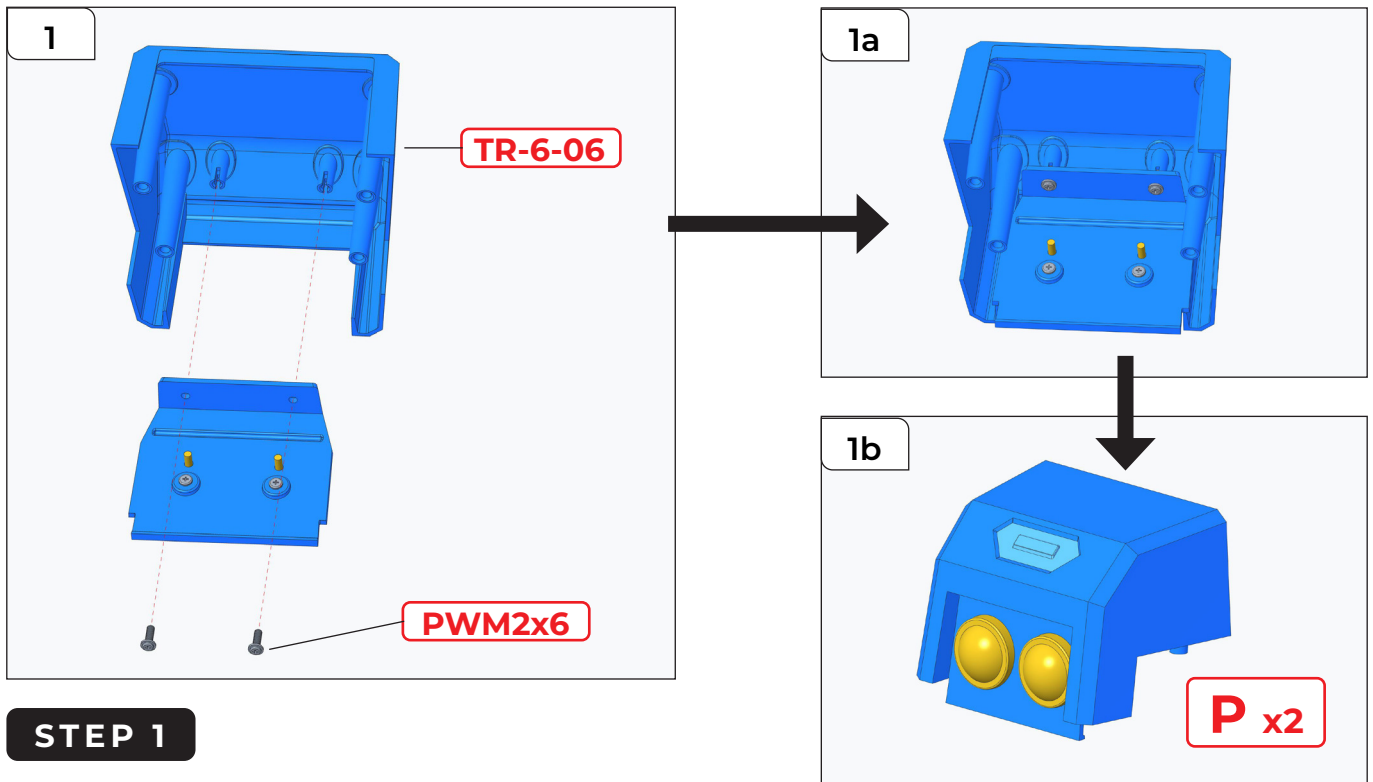


## STEP 9

Attach assembly C (page 9) to assembly N. Thread washers TR-6-28 onto PM3x8 screws and use them to secure parts in place.

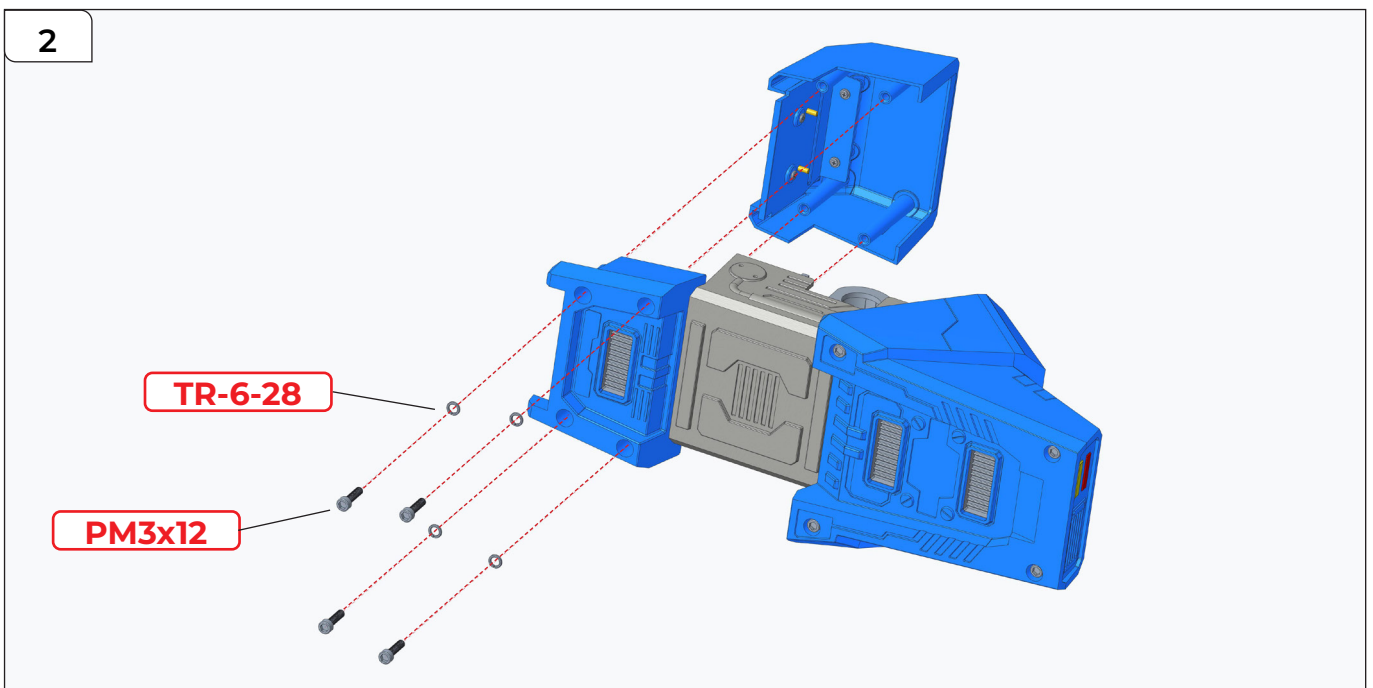


## Assembling the Feet – Part 3



Attach assembly F (page 9) to TR-6-06. Secure them using 2x PWM2x6 mm screws.

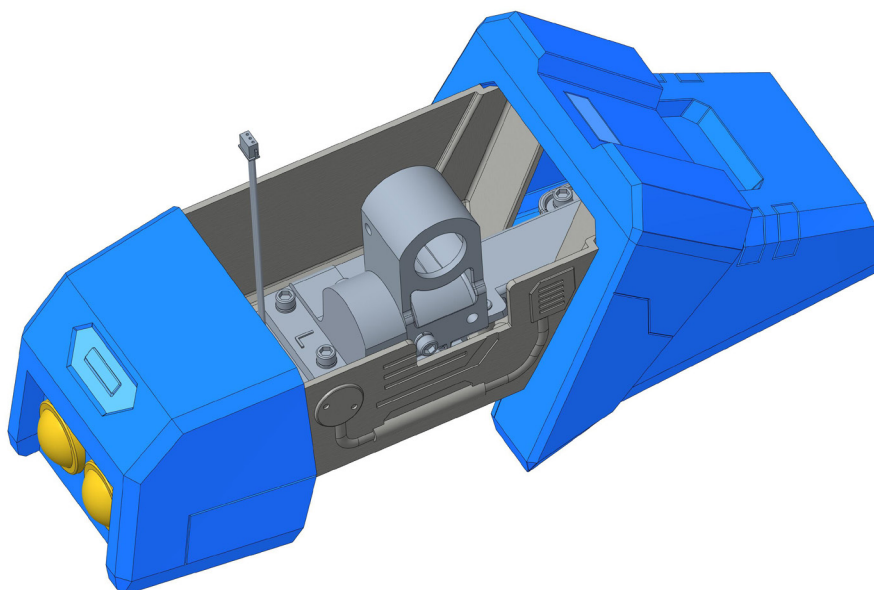
Repeat to make two of these.



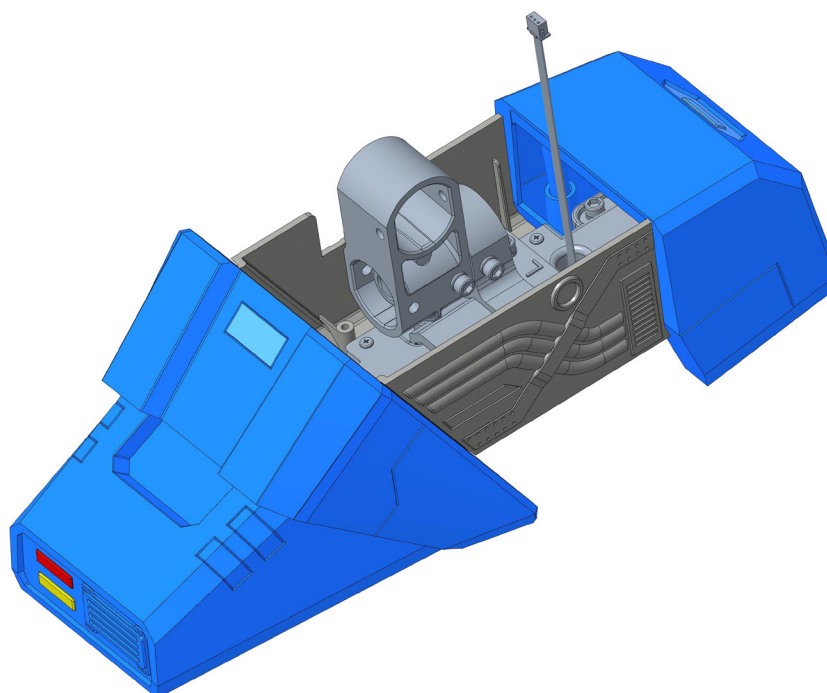
Attach 1x assembly P to assembly O. Thread washers TR-6-28 onto PM3x12 screws and use them to secure the parts together.

## Assembling the Feet – Part 3

LEFT FOOT REAR VIEW

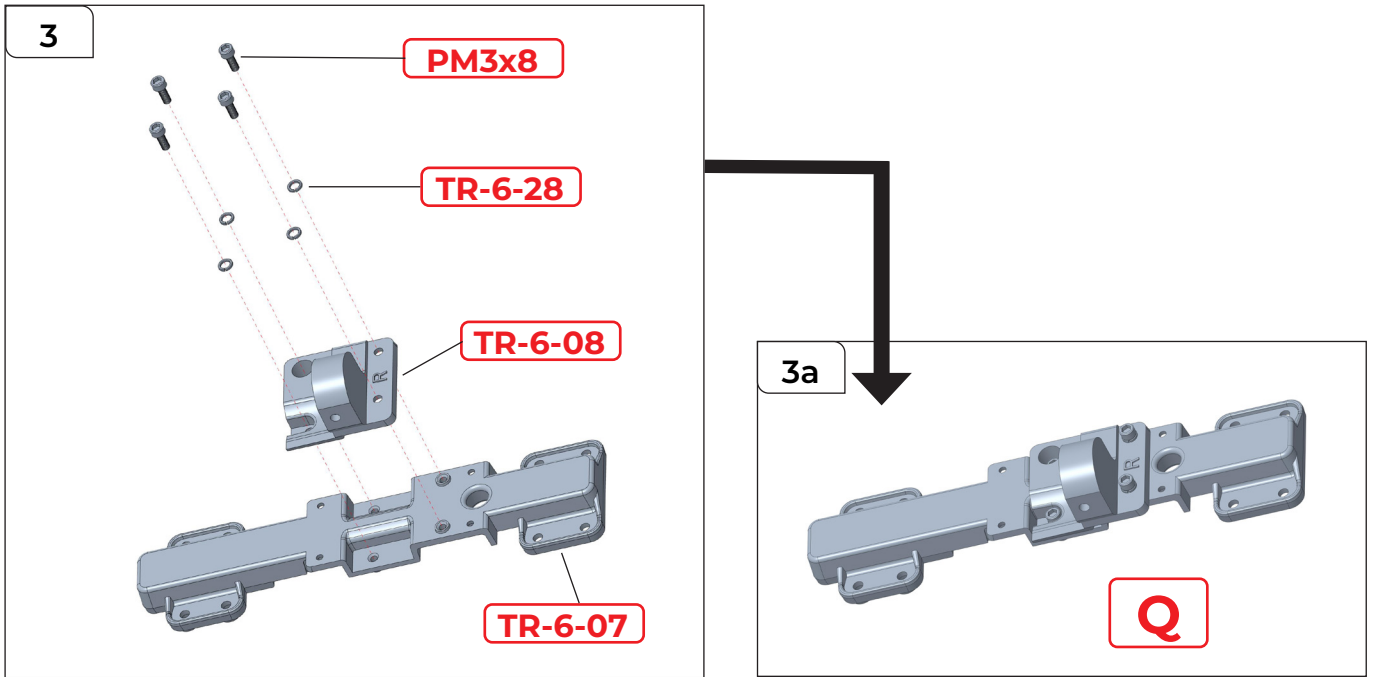


LEFT FOOT FRONT VIEW



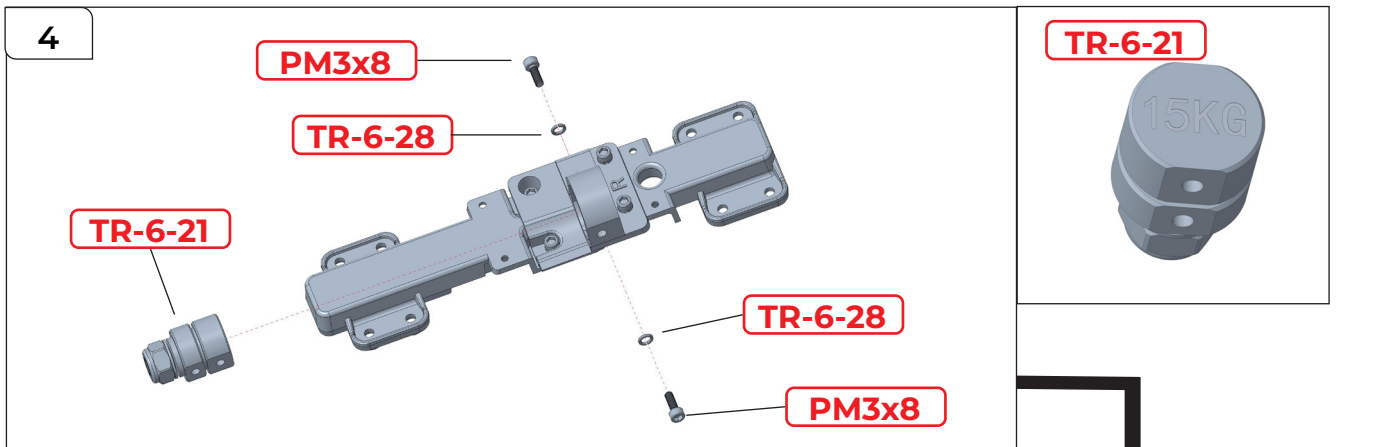


# Assembling the Feet – Part 3



## STEP 3

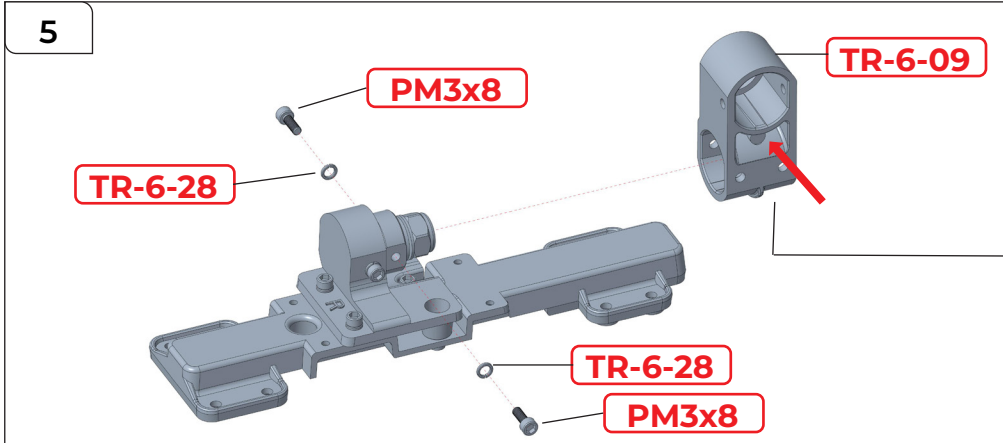
Attach TR-6-08 to 07. Thread washers TR-6-28 onto PM3x8 screws and use them to fix the assembly together.



## STEP 4

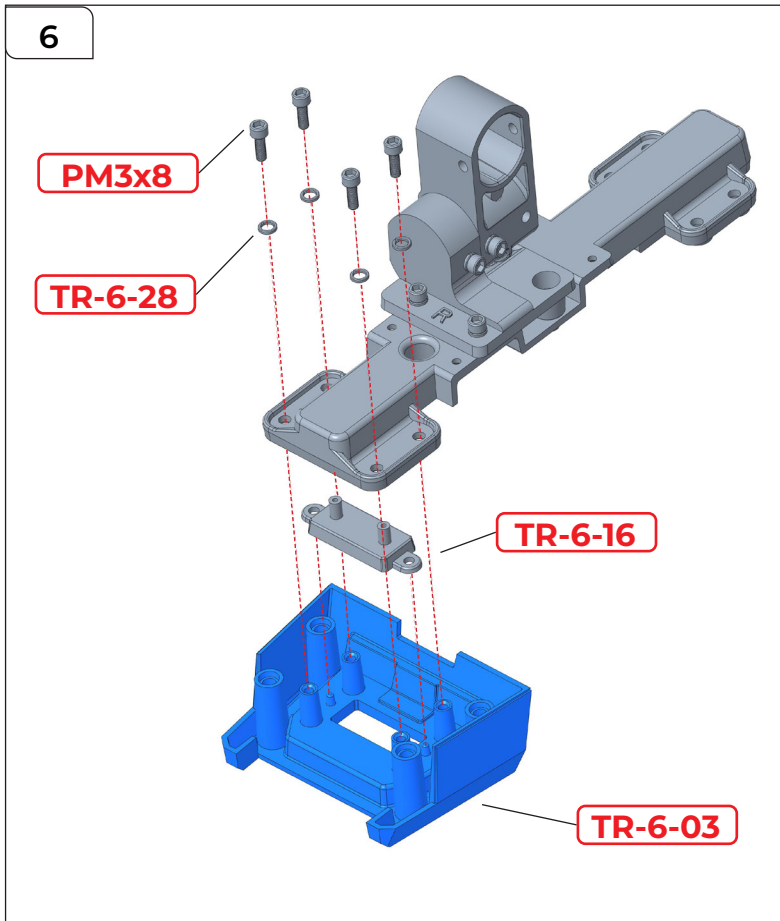
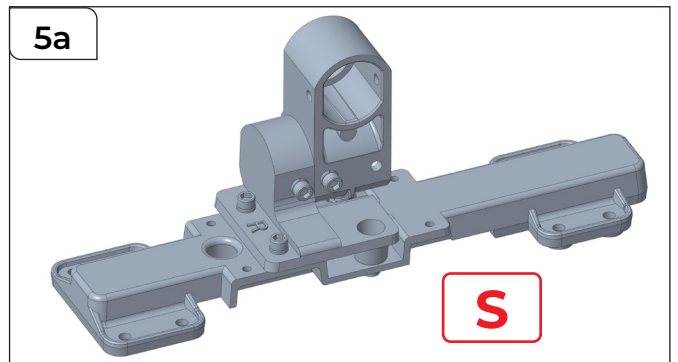
Attach TR-6-21 to Q. Thread washers TR-6-28 onto PM3x8 screws and use them to secure the assembly together.

# Assembling the Feet – Part 3



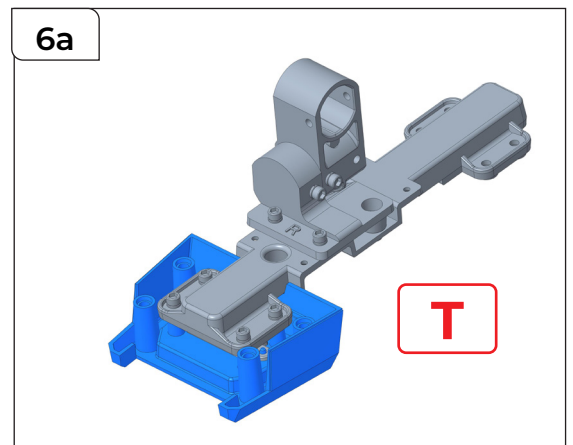
## STEP 5

Attach TR-6-09 to R. Thread washers TR-6-28 onto PM3x8 screws and use them to fix the assembly together.



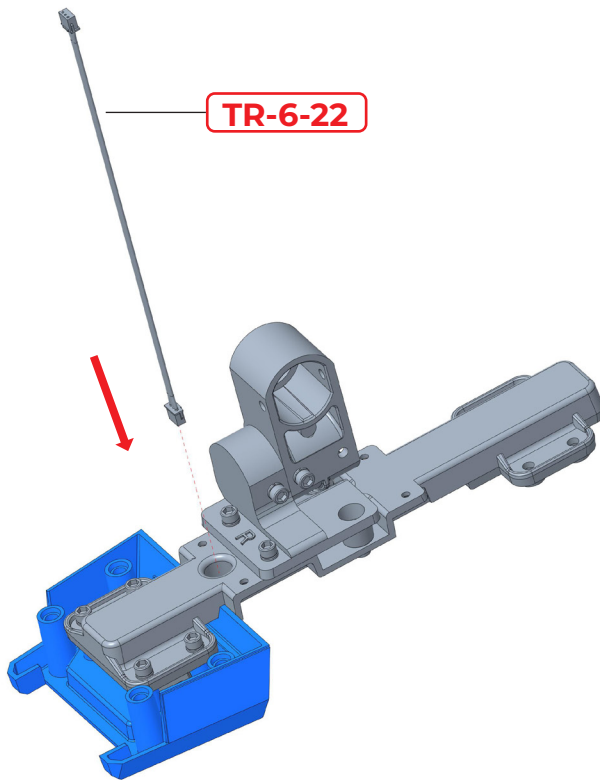
## STEP 6

Attach TR-6-16 and 03 to S. Thread washers TR-6-28 onto PM3x8 screws and use them to secure the assembly together.



# Assembling the Feet – Part 3

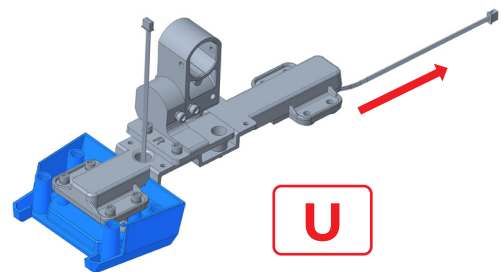
7



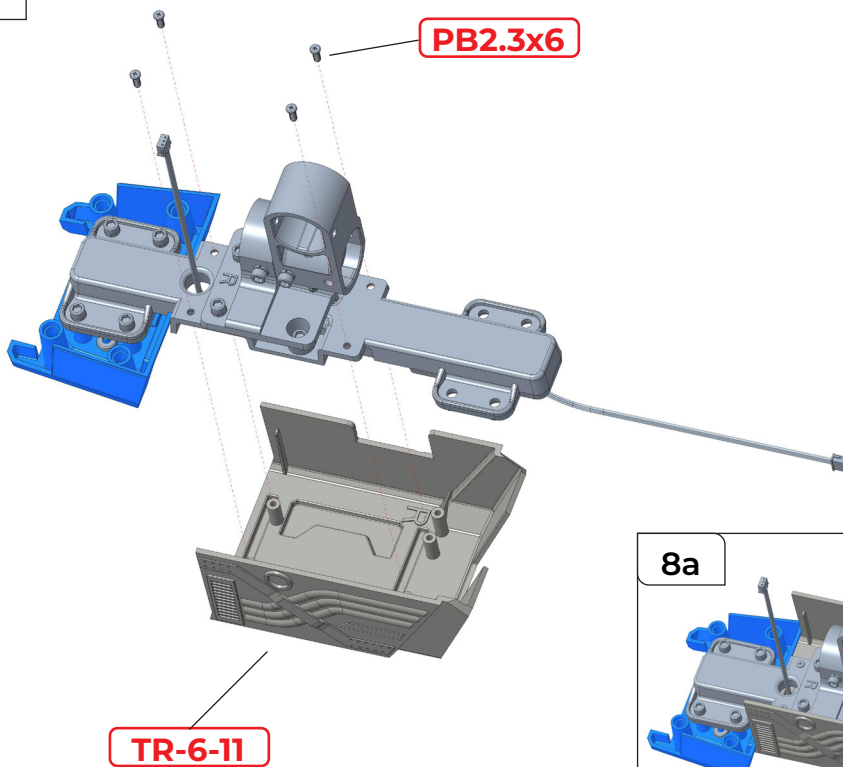
## STEP 7

Thread cable TR-6-22 through T as shown.

7a



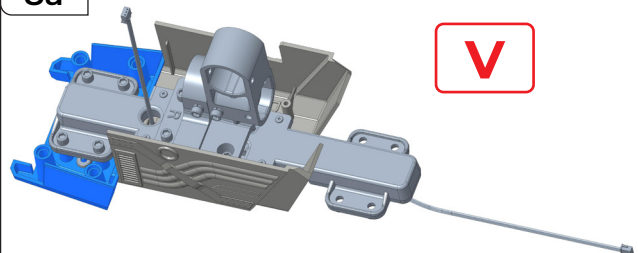
8



## STEP 8

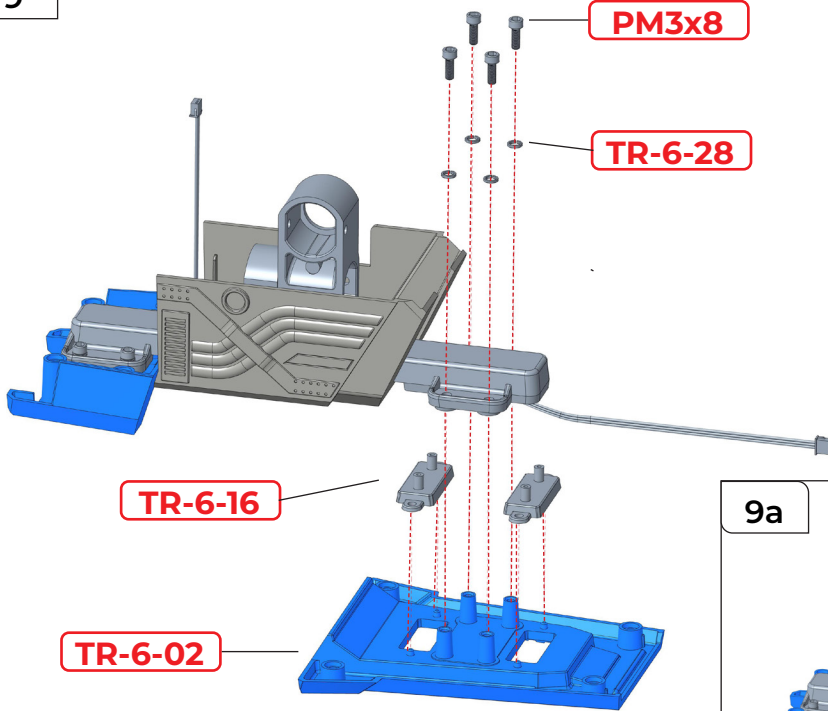
Attach TR-6-11 to U and secure them using 4x PB2.3x6 mm screws.

8a



# Assembling the Feet – Part 3

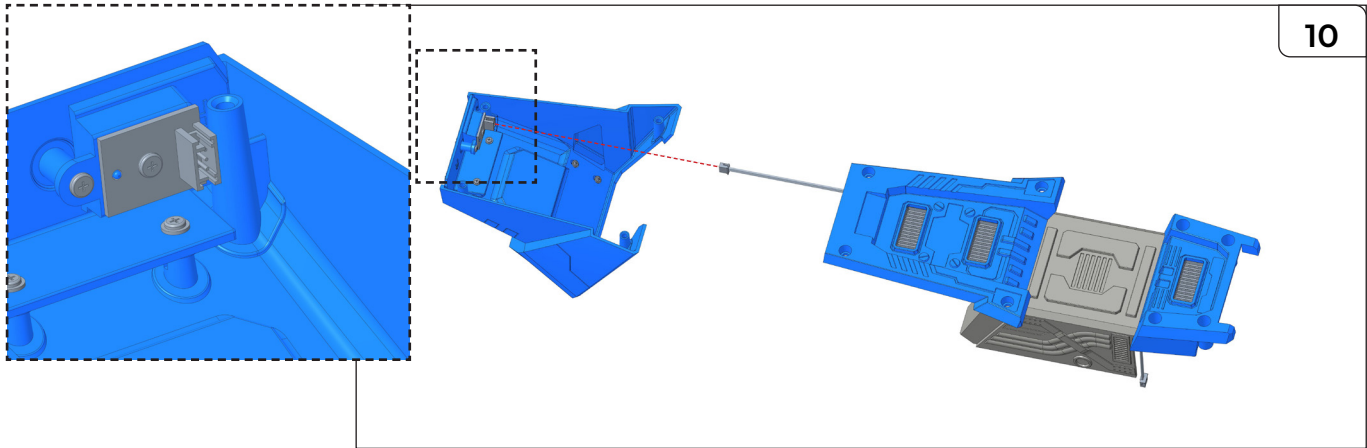
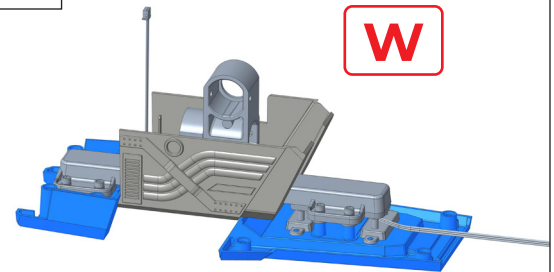
9



## STEP 9

Attach TR-6-16 to 02. Thread washers TR-6-28 onto PM3x8 screws and use them to secure the assembly together.

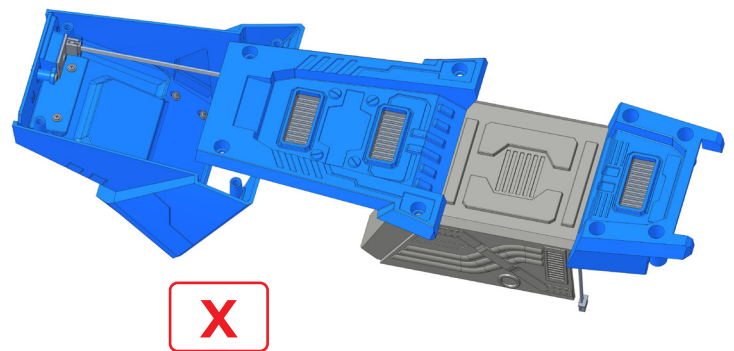
9a



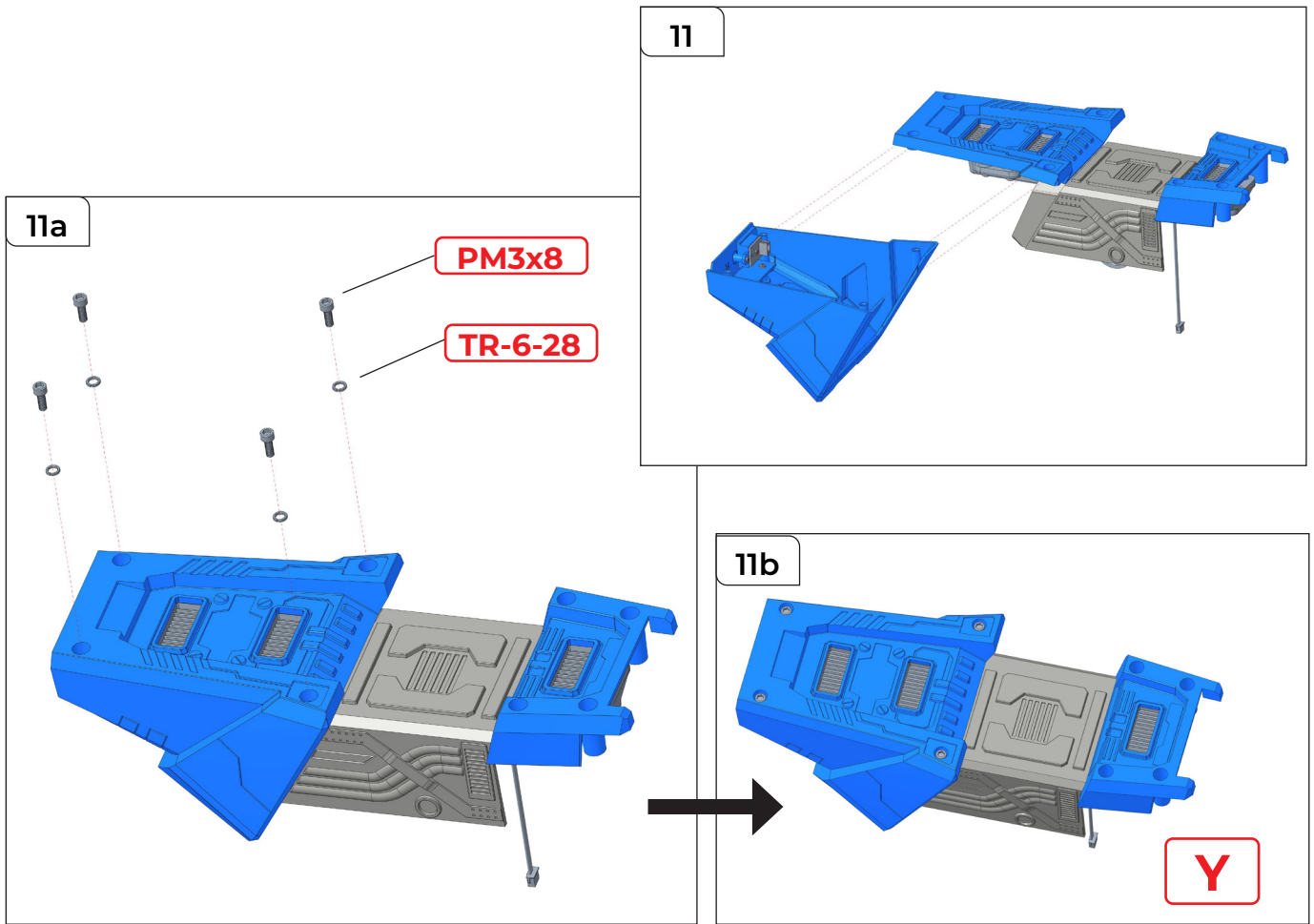
## STEP 10

Attach assembly E (page 9) to W as shown, plugging in the cable into the socket as shown in the inset image.

10a

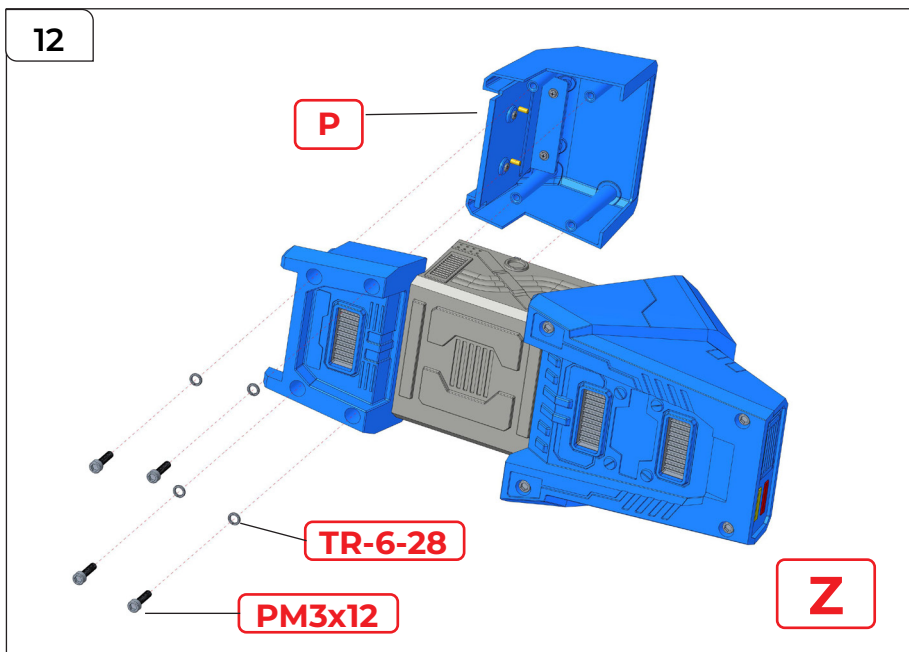


# Assembling the Feet – Part 3



## STEP 11

Attach assembly E (page 9) to assembly X. Thread washers TR-6-28 onto PM3x8 screws and use them to secure parts in place.

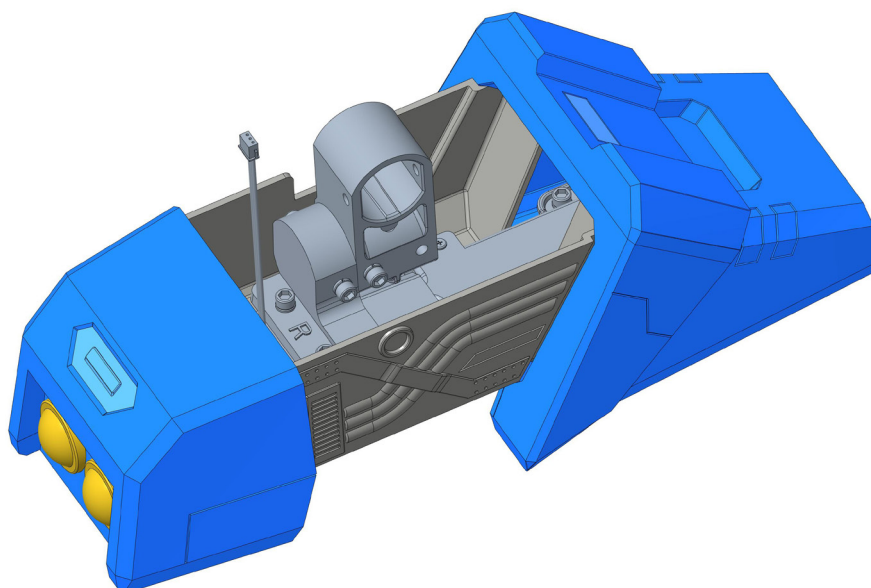


## STEP 12

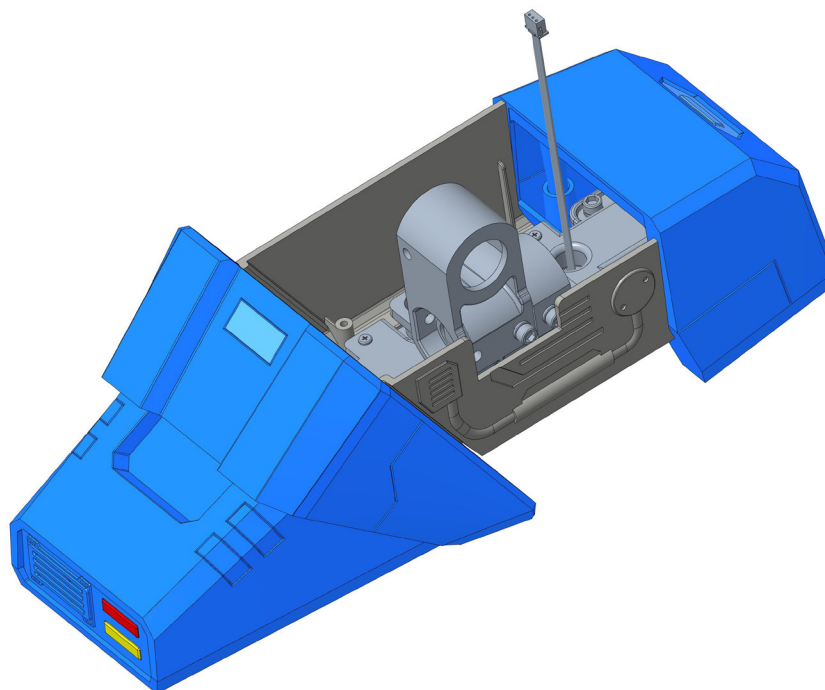
Attach the remaining assembly P (page 15) to assembly Y. Thread washers TR-6-28 onto PM3x12 screws and use them to secure the parts together.

# Assembling the Feet – Part 3

**RIGHT FOOT REAR VIEW**

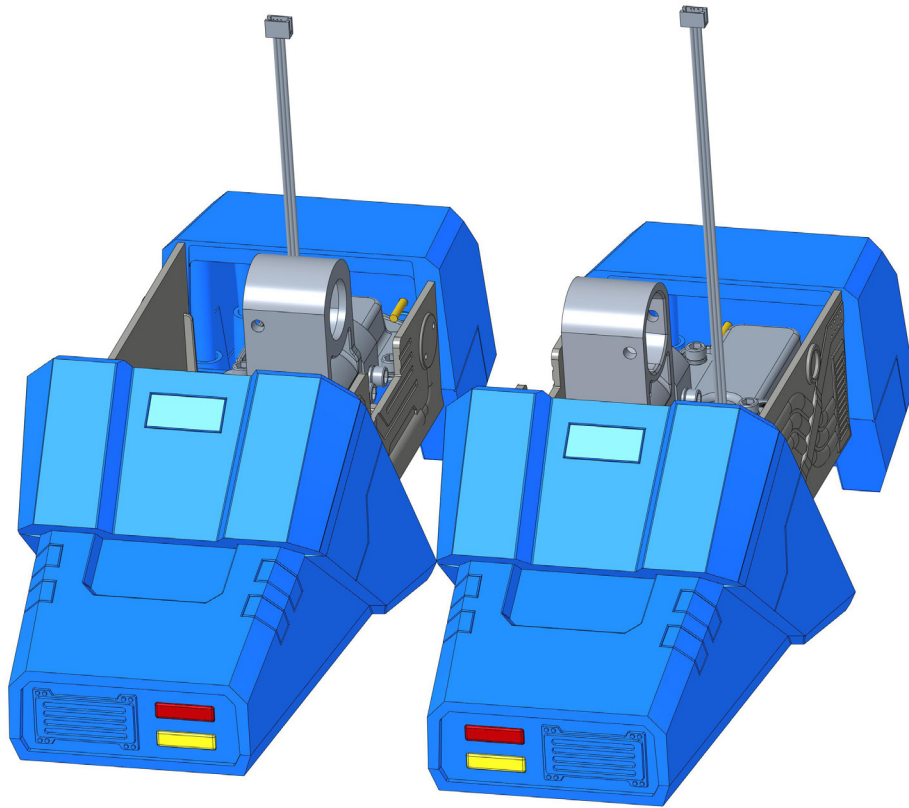


**RIGHT FOOT FRONT VIEW**



## Assembling the Feet – Part 3

PACK 6 COMPLETE



**At this point, it's a good idea to re-check the electronics:**

Connect the battery pack to the circuit board TR-6-29. One at a time, plug the sockets on the end of cables TR-6-22 into the 3-pin plug on the circuit board. The LEDs should light up.