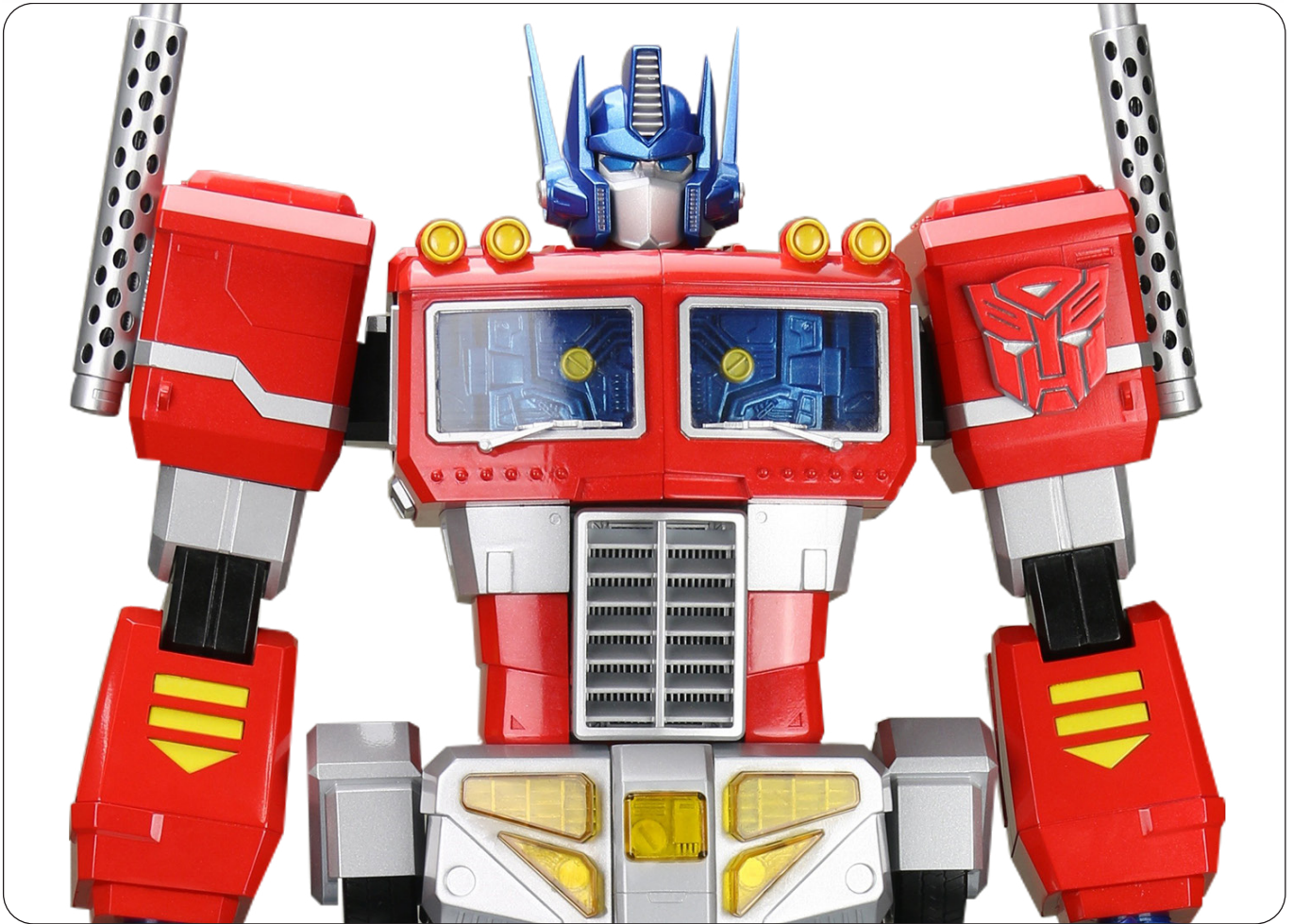


# OPTIMUS PRIME



## Pack 07

BUILD INSTRUCTIONS

ASSEMBLING THE LEFT FOOT

ASSEMBLING THE RIGHT FOOT

**AGORA**  
MODELS®

# Advice from the experts

---

 **Please keep ALL unused screws as they may be required in a later stage.**

Please make sure you don't mix up the screws. They look quite similar, but the threads do vary slightly. Using the wrong screws may damage the parts.

When securing parts together using multiple screws, fit each screw loosely to ensure all the parts are correctly aligned before gently tightening them firmly, but not overtight, in the order in which you placed them.

The screwdriver can be magnetized by stroking it with a magnet (fridge magnet, etc.) enabling it to hold the screws and make assembly easier.

If a screw is tight going into a metal part, do not force it as you may shear the head off. Remove it and put a tiny smear of Vaseline, soap or light oil on the thread. That will lubricate it and make it easier to drive home.

Some parts will require a little glue for assembly. Please apply glue sparingly and use a cocktail stick so that you don't use too much nor apply the glue too heavily. We recommend superglue gel or Extra Thin Liquid modeling glue. Where possible, parts should be test-fitted in place before gluing.



Look out for the glue symbol and apply glue to the red area indicated in the picture.

During the course of this build, you will receive many pieces that you will assemble immediately – following the instructions in the corresponding stage – and other pieces that you should store in the tray supplied, for use in future assembly stages.

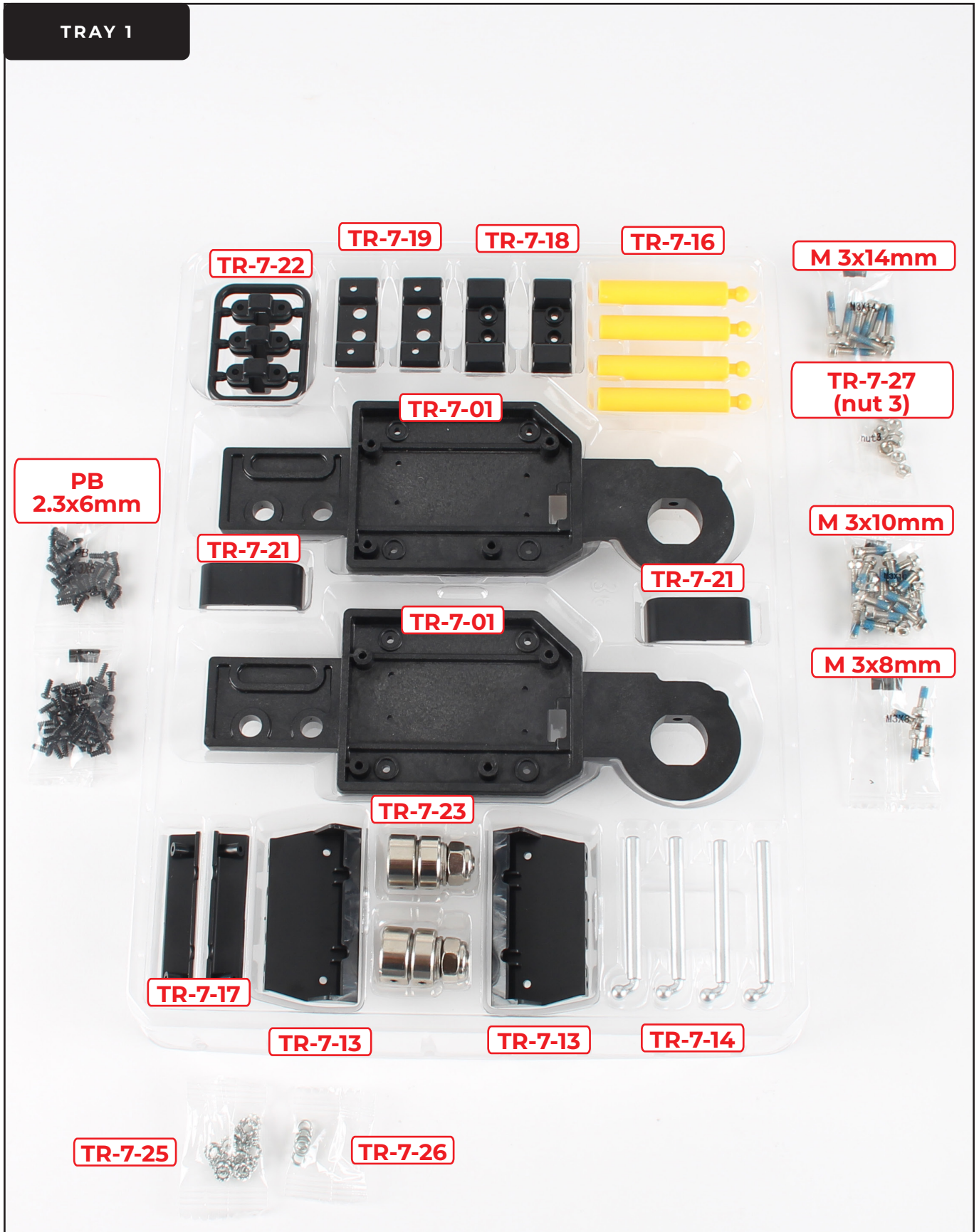
Always protect the paint finish on components by placing a cutting mat, sheet of white paper or soft cloth on your work surface.

Left and Right! When building your Optimus Prime, the left or right hand side refers to each side as viewed by Optimus Prime. Optimus Prime's left arm is on the viewer's right.



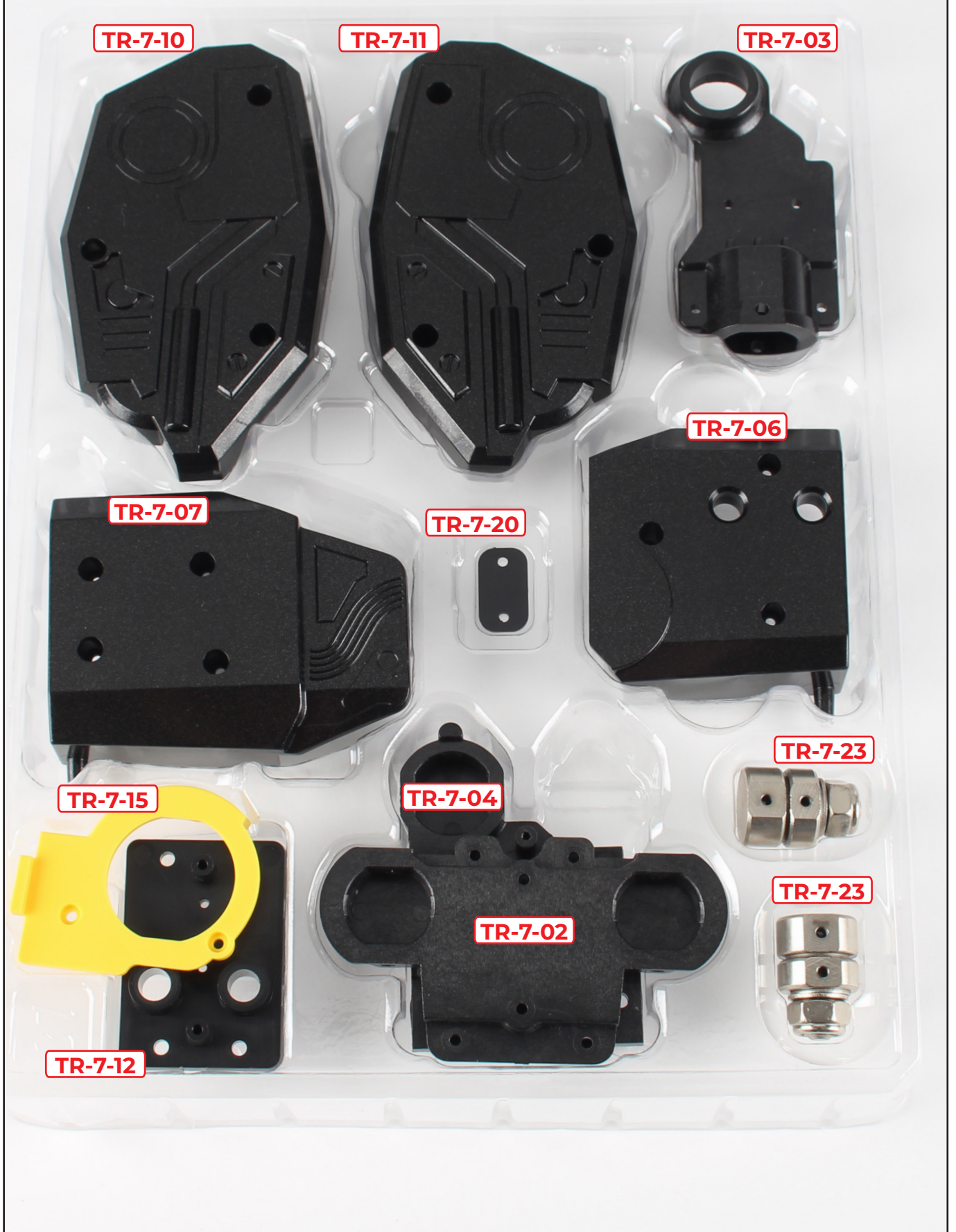
**WARNING:** Some parts are assembled using magnets. These magnets can cause serious injury if they are swallowed. Keep away from children. If you suspect a magnet has been swallowed, seek medical help straight away.

# Pack 7 Parts



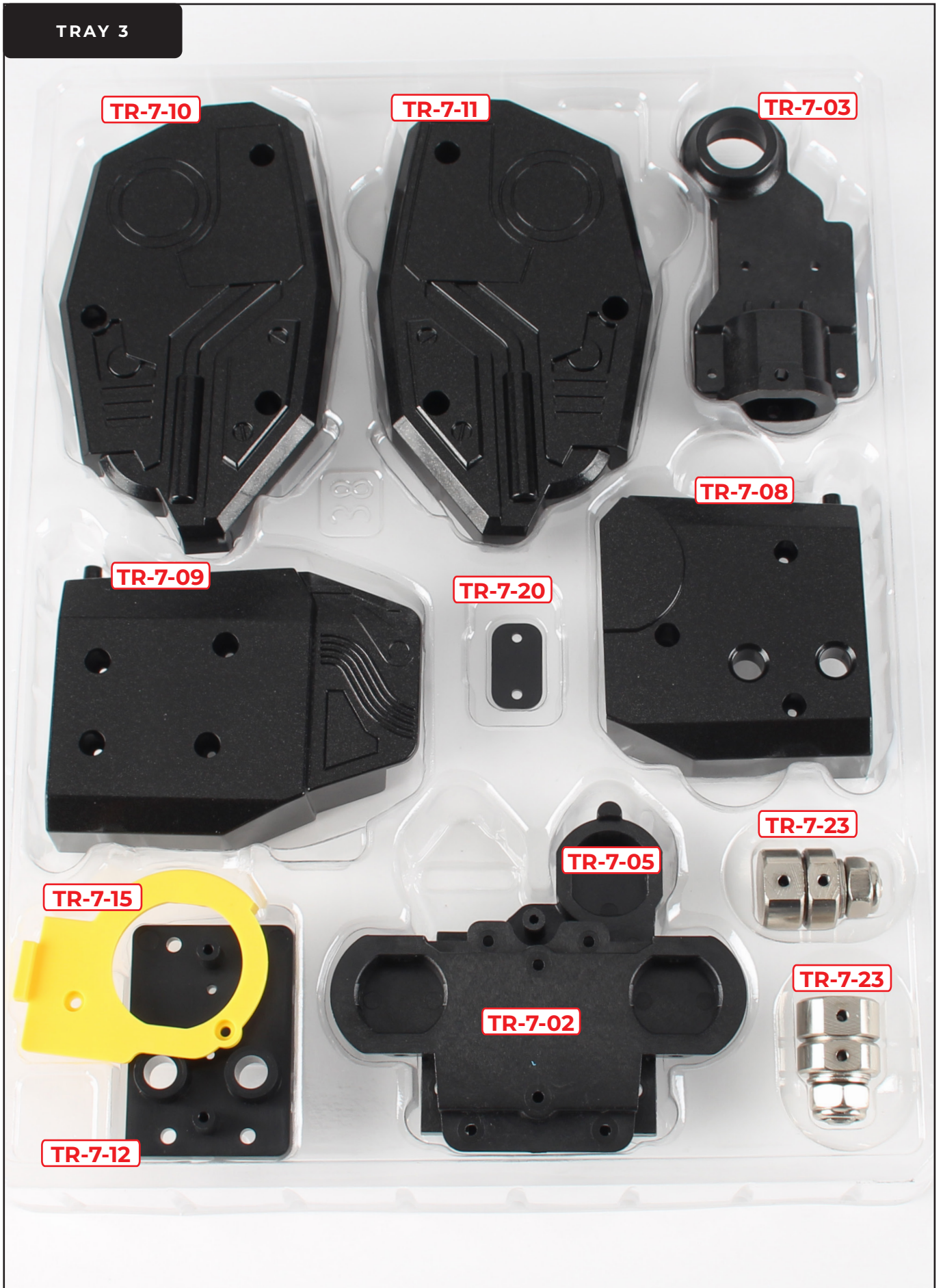
# Pack 7 Parts

TRAY 2

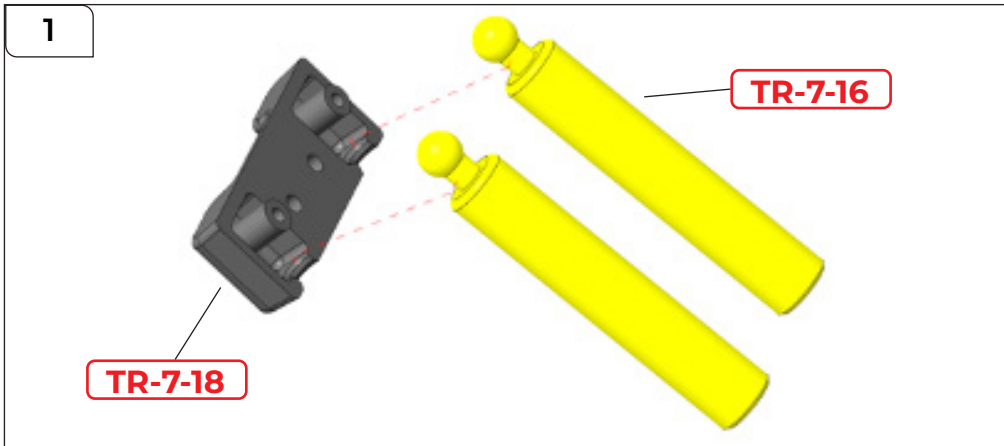


# Pack 7 Parts

TRAY 3

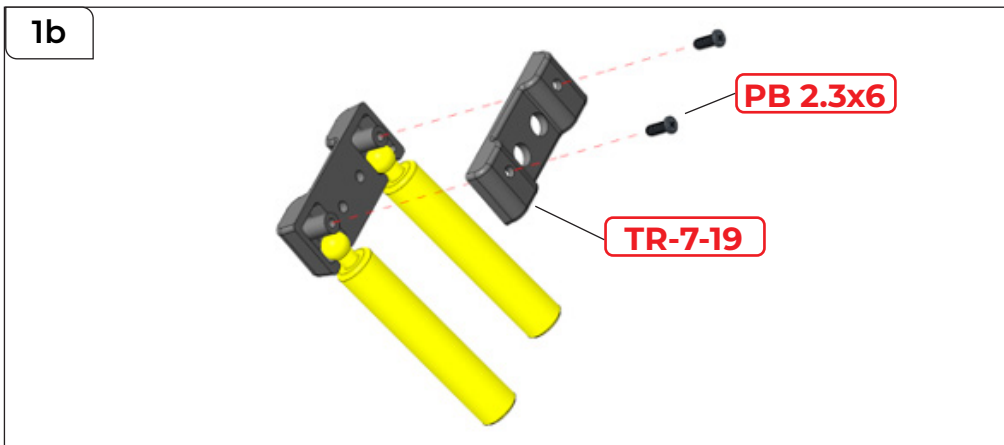
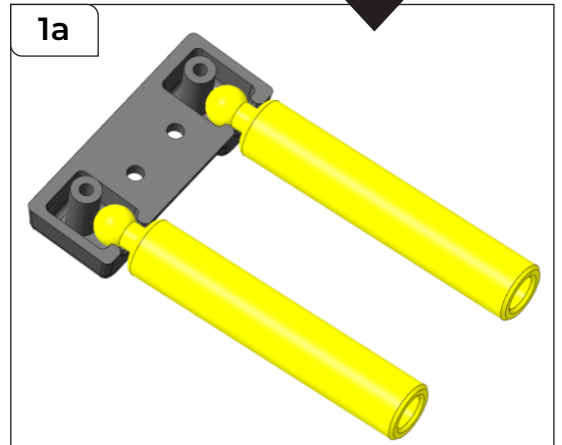


# Assembling the Left Foot

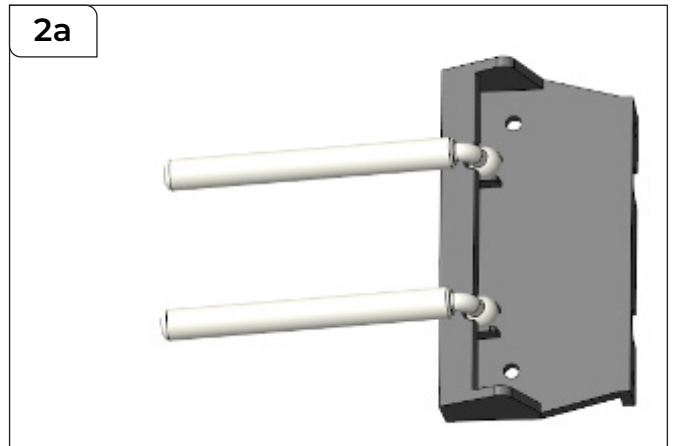
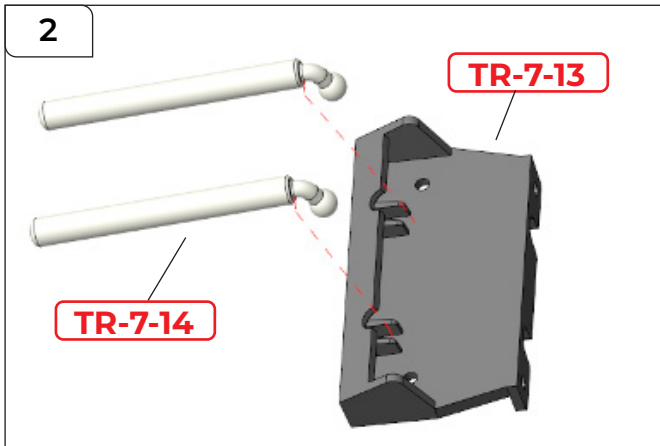


## STEP 1

Place TR-7-16 on TR-7-18.  
Attach TR-7-19 over the screw posts on TR-7-18  
and secure in place with 2x PB2.3x6 mm screws.  
**Repeat to make 2 sets.**

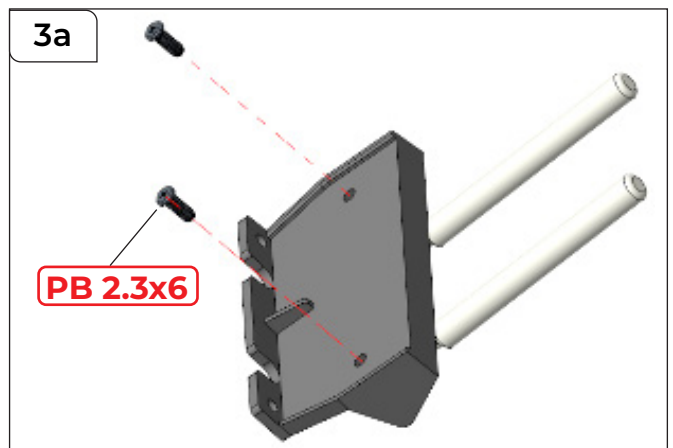
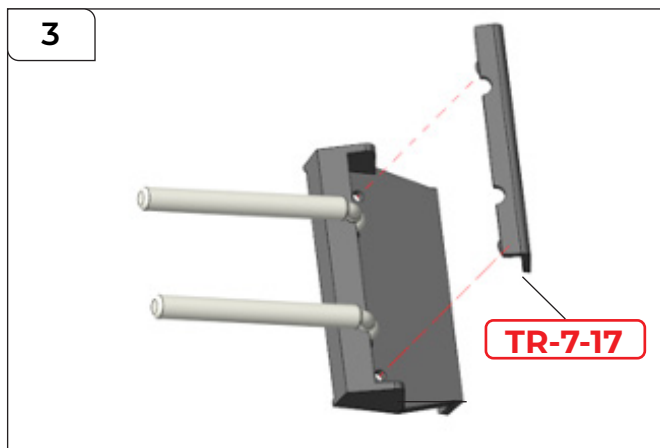


# Assembling the Left Foot



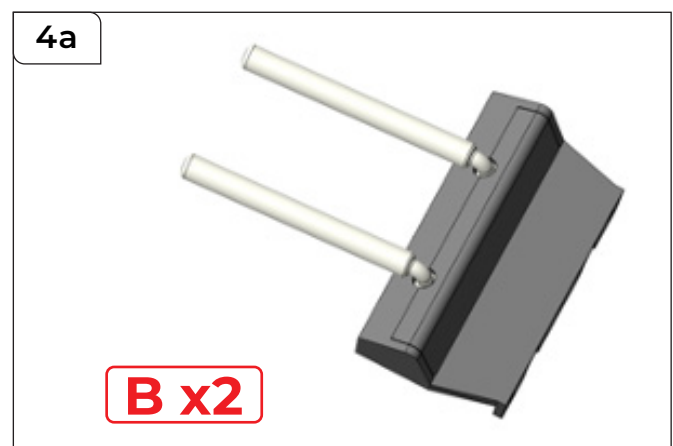
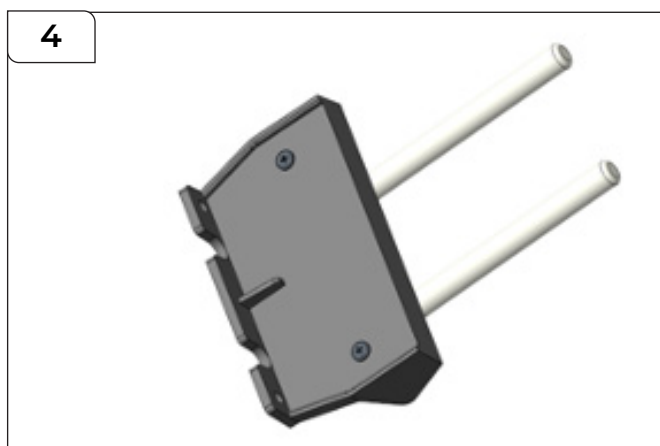
## STEP 2

Place TR-7-14 on TR-7-13



## STEP 3

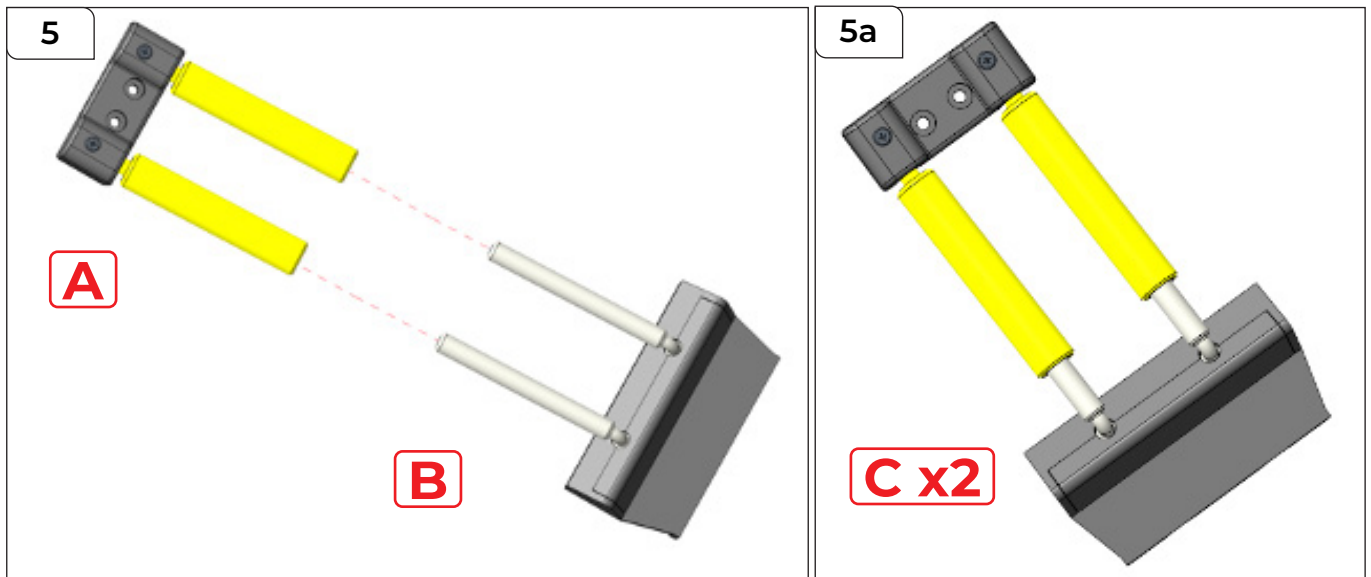
Lower TR-7-17 on top of TR-7-13. Secure in place from the underside using 2x PB2.3x6 mm screws.



## STEP 4

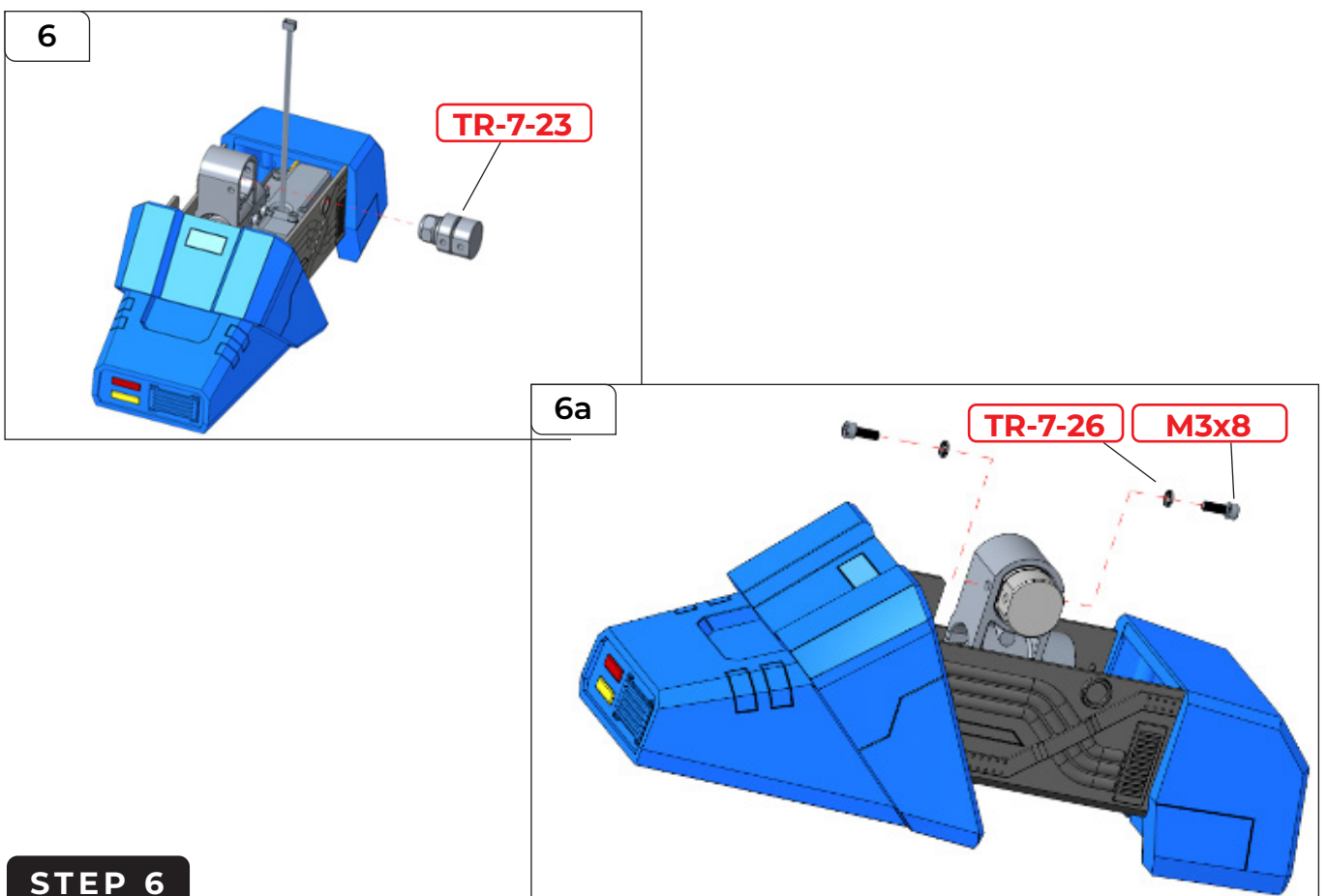
Repeat to make two sets.

## Assembling the Left Foot



### STEP 5

Slide B into A as shown. Repeat to make two sets.

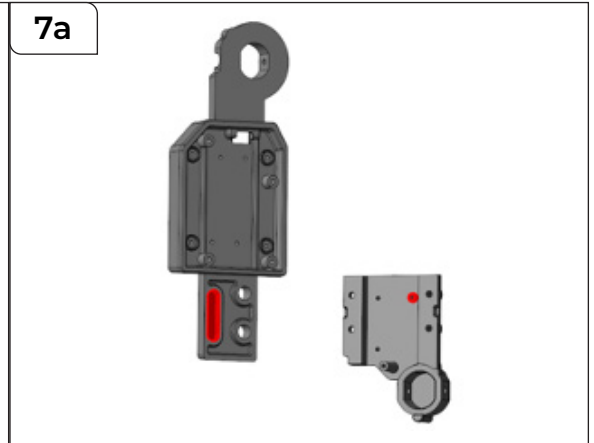
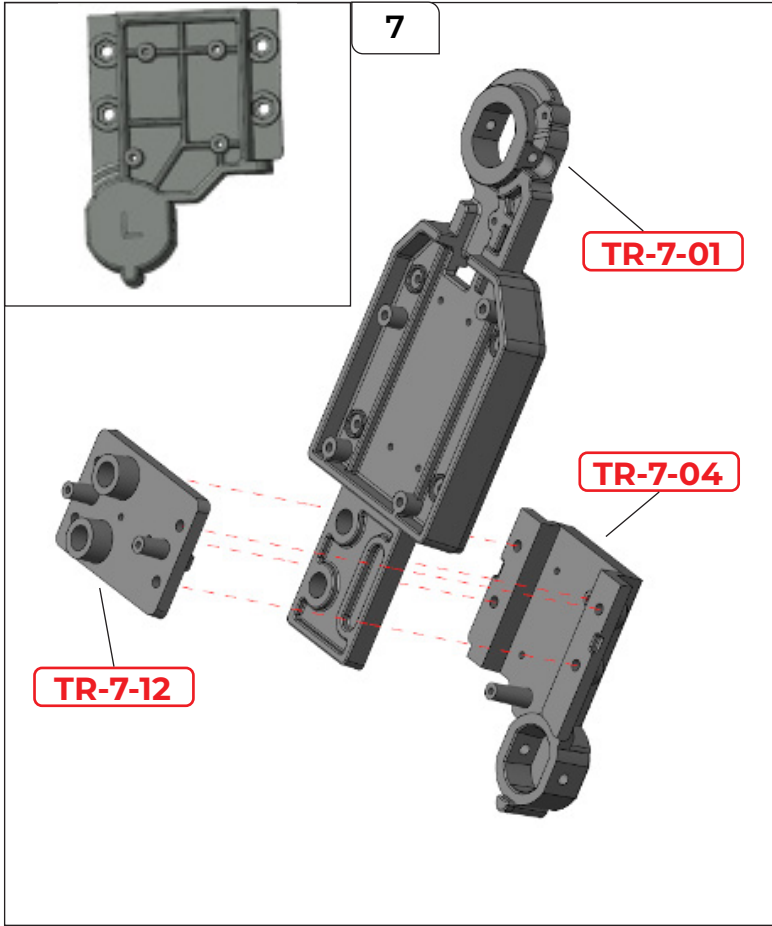


### STEP 6

Take the left foot assembled in Pack 6. Attach TR-7-23. Thread 2x TR-7-26 washers onto 2x M3x8 mm screws and secure the part in place.

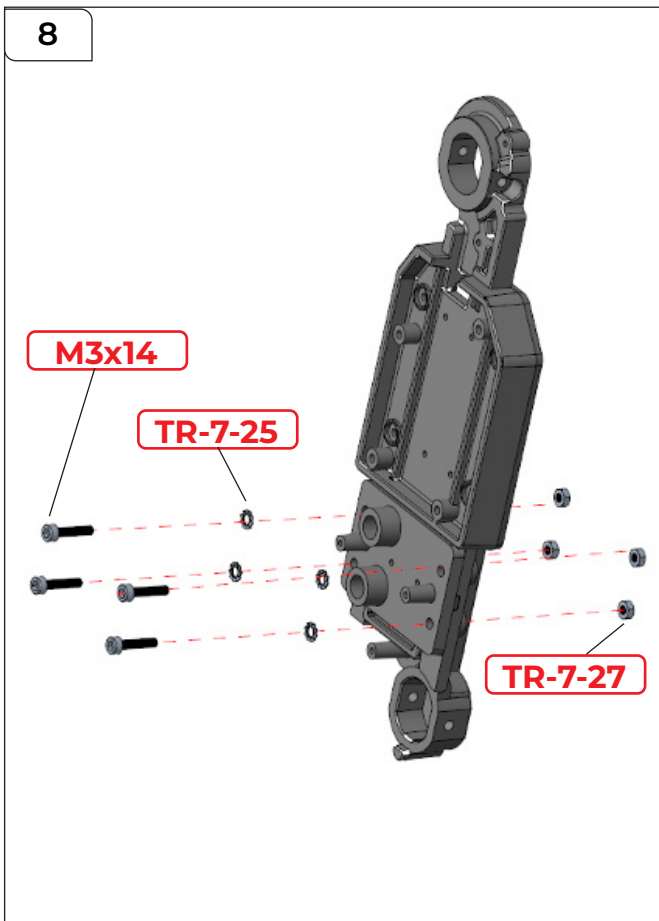


# Assembling the Left Foot



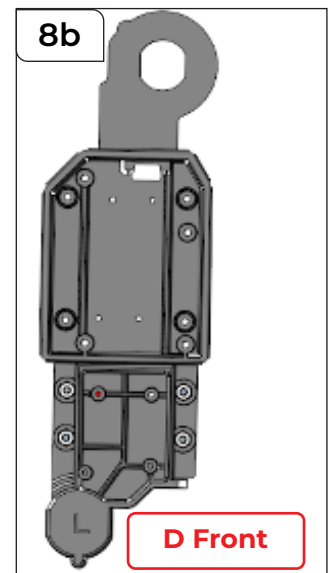
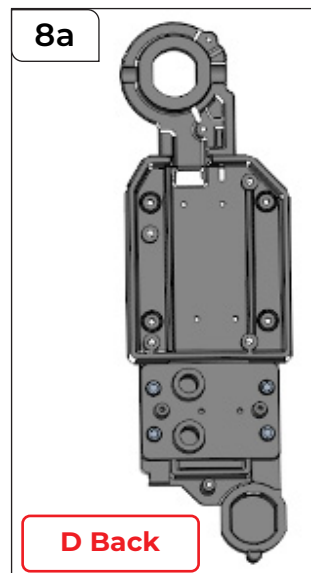
## STEP 7

Take part TR-7-01 (marked L) and attach TR-7-12 and TR-7-04. Note – the pin shown in red on 04 slides in the recess shown in red on 01 (7a).



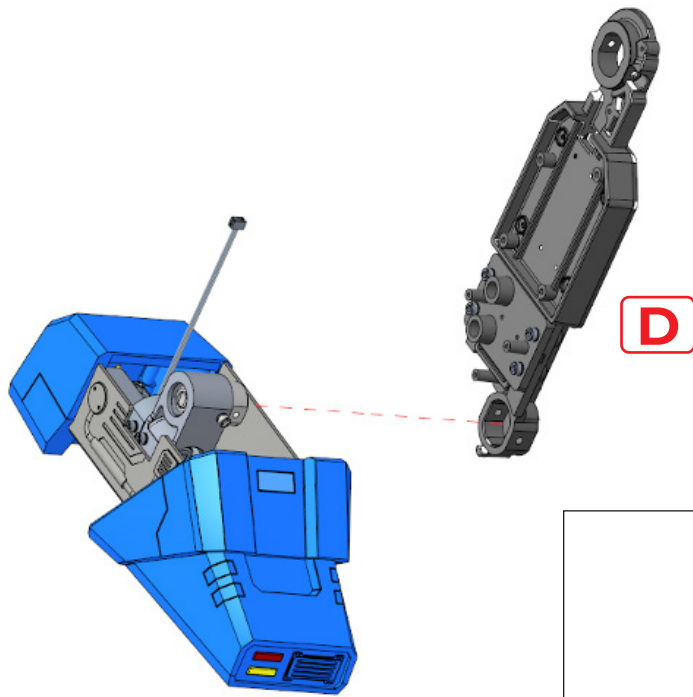
## STEP 8

Thread 4x TR-7-25 washers onto 4x M3x14 screws. Place them in the screw holes indicated then secure from the opposite side using 4x TR-7-27 nuts.



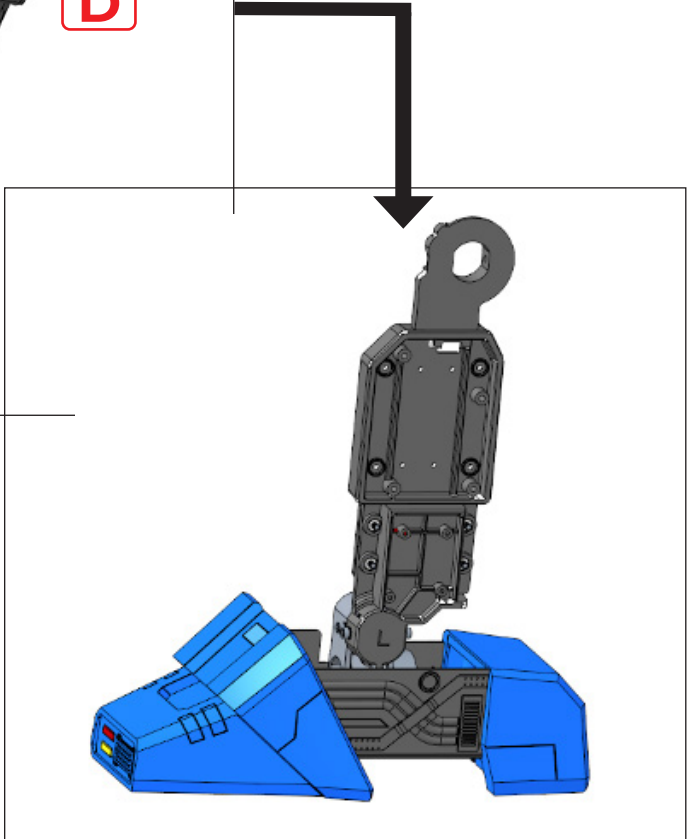
# Assembling the Left Foot

9

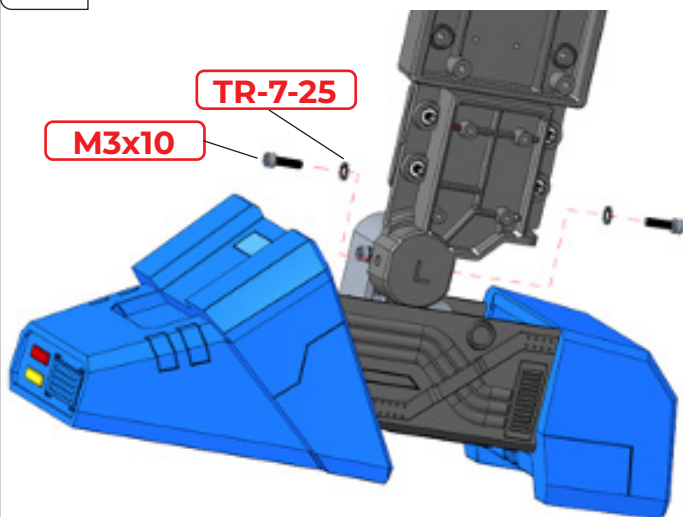


**STEP 9**

Attach D to the left foot.



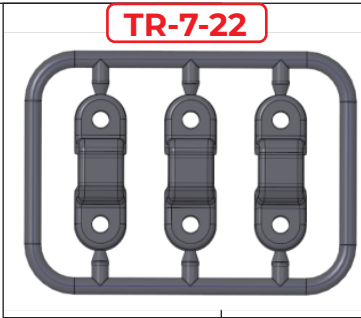
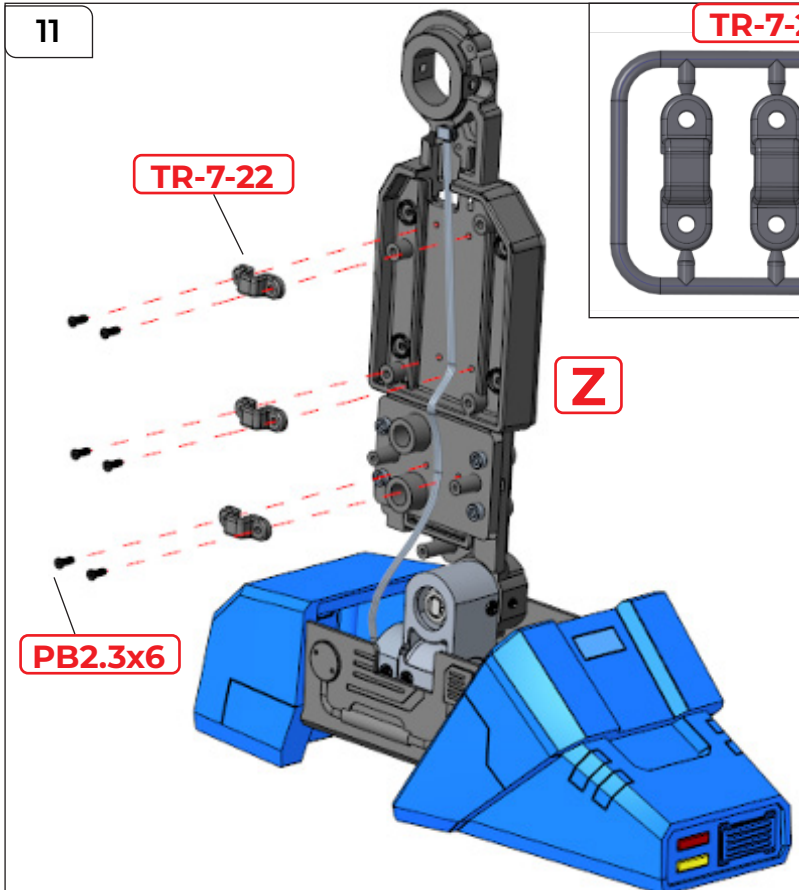
10a



**STEP 10**

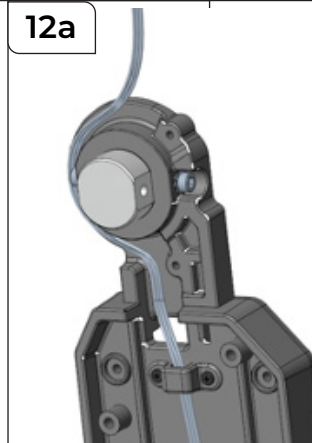
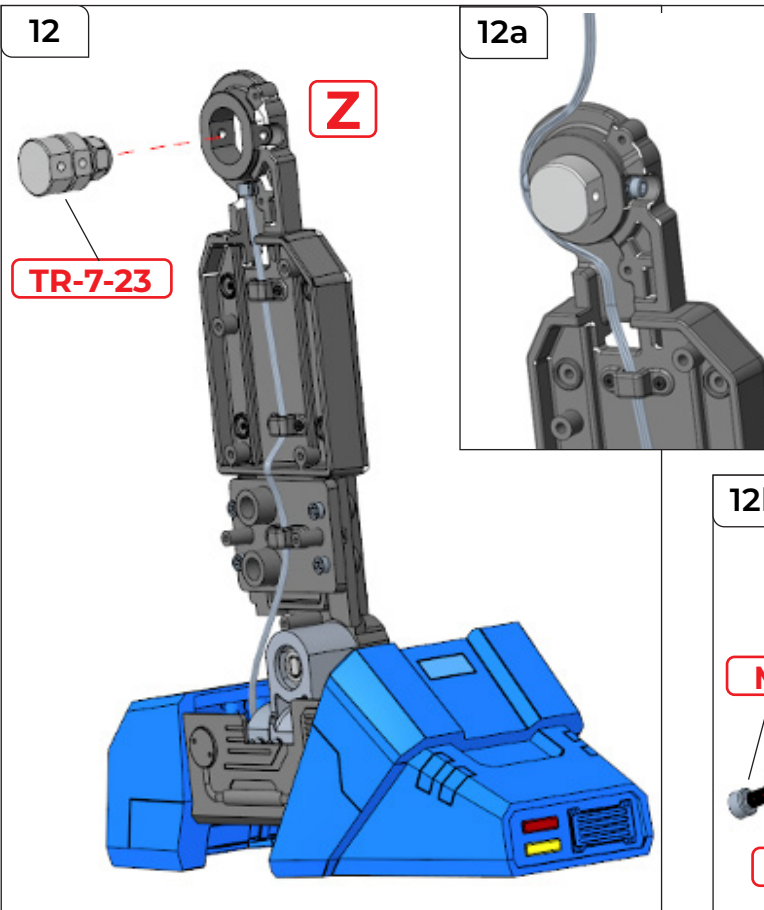
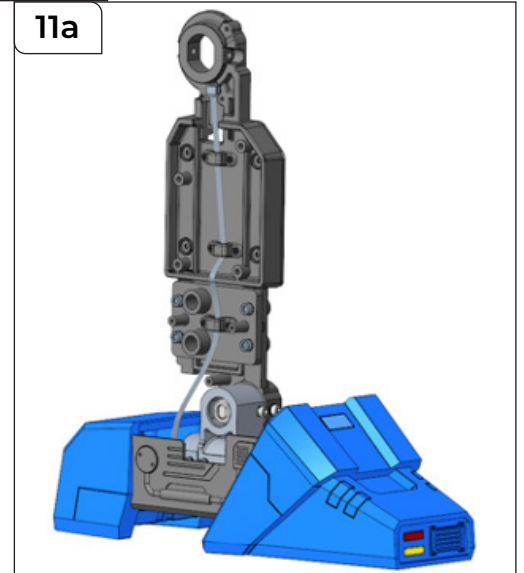
Using 2x TR-7-25 washers and 2x M3x10 screws, secure the parts in place.

# Assembling the Left Foot



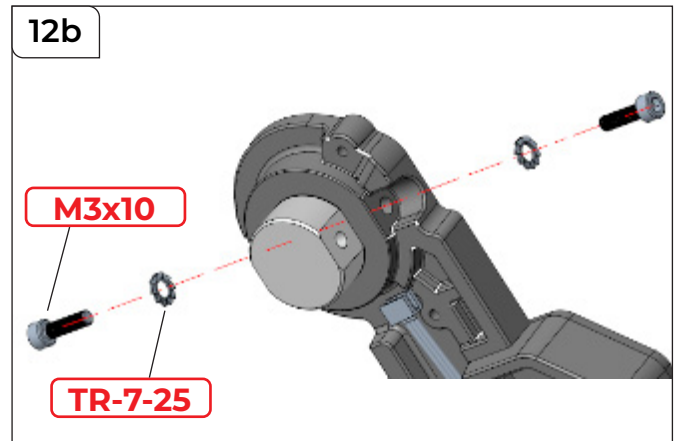
## STEP 11

Take 3x TR-7-22 and place them over the screw holes on Z. Secure them using 6x PB2.3x6 mm screws.

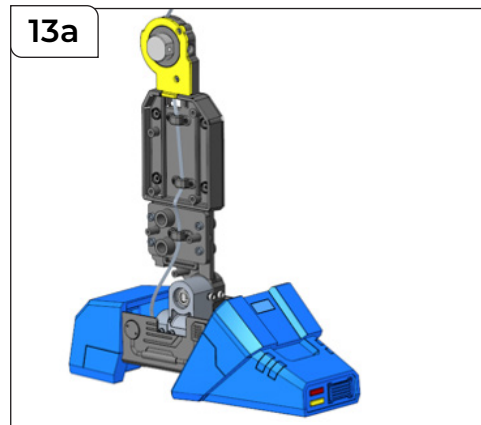
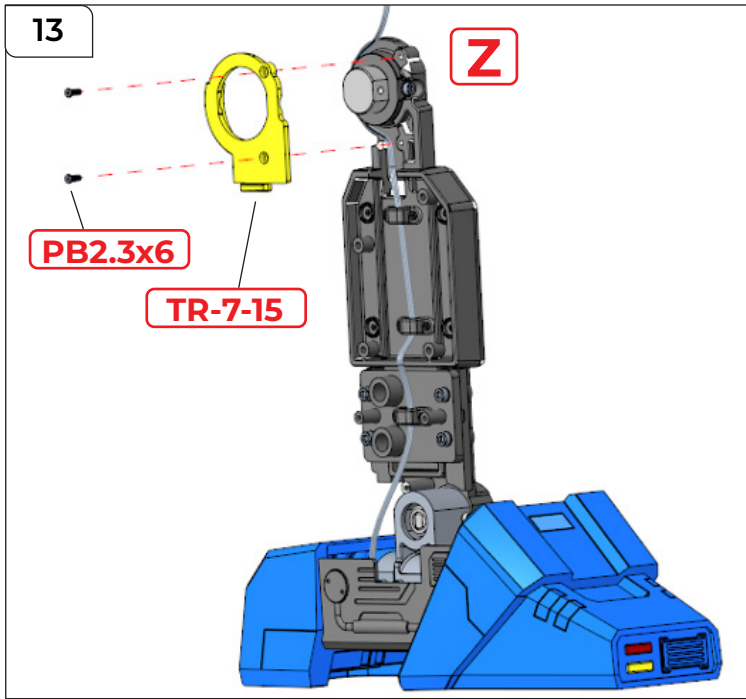


## STEP 12

Push TR-7-23 into Z. Using 2x TR-7-25 washers and 2x M3x10 mm screws, secure the part in place.

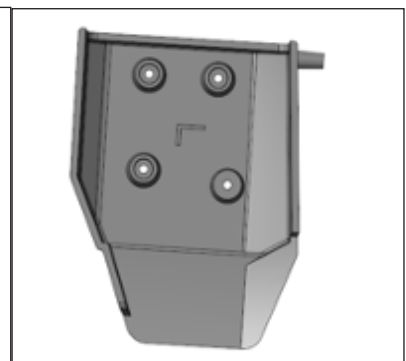
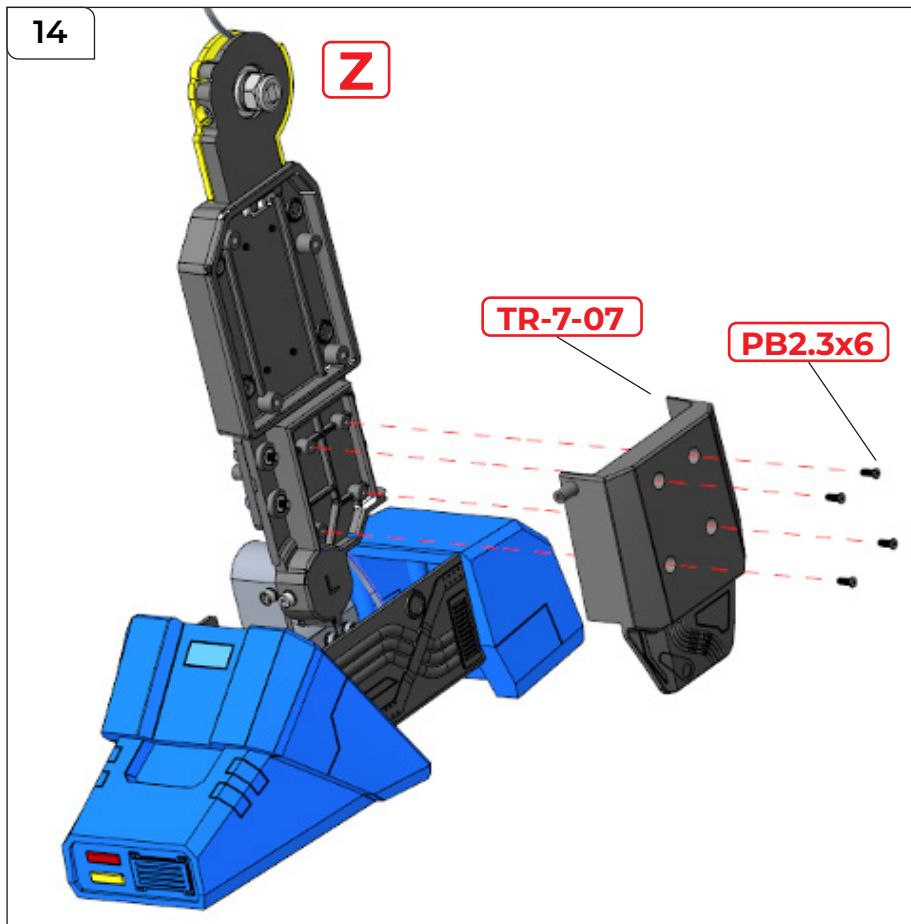


# Assembling the Left Foot



## STEP 13

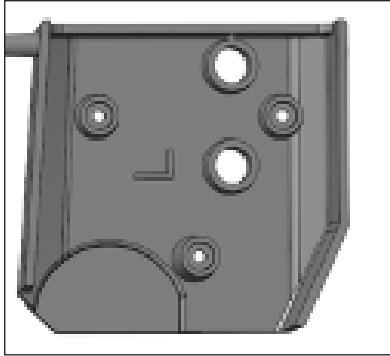
Attach TR-7-15 to Z and secure using 2x PB2.3x6 mm screws.



## STEP 14

Place TR-7-07 over the raised screw posts on Z and secure using 4x PB2.3x6 mm screws.

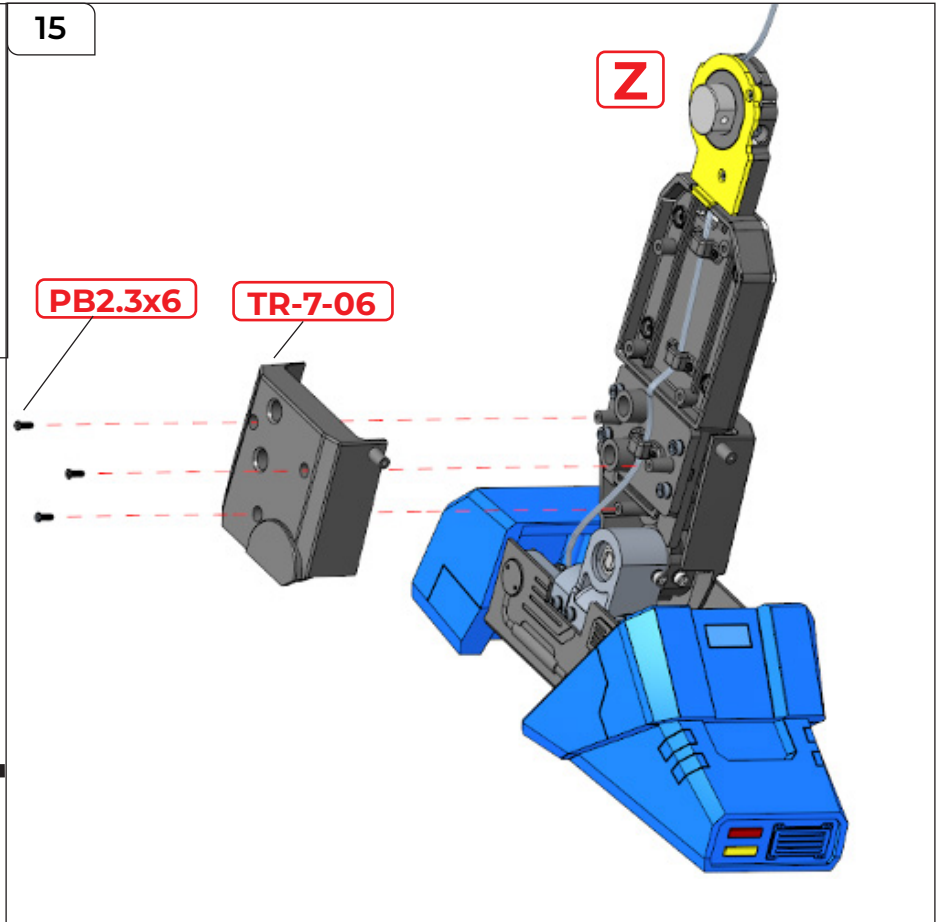
# Assembling the Left Foot



15

## STEP 15

Place TR-7-06 over the screw posts on the opposite side of Z and secure in place using 3x PB2.3x6mm screws

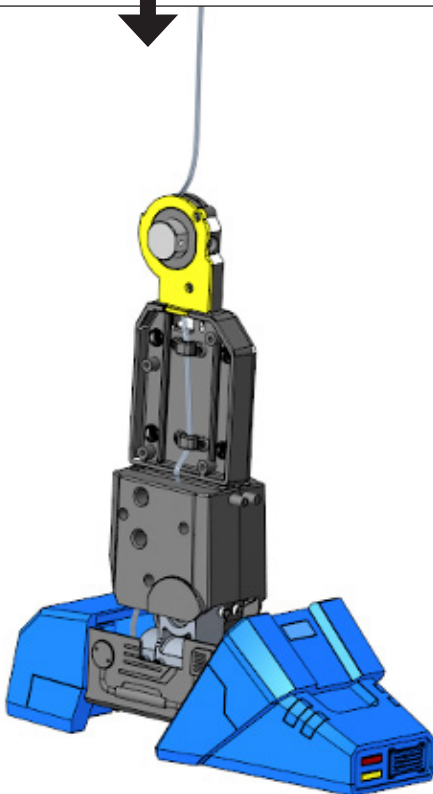


Z

PB2.3x6

TR-7-06

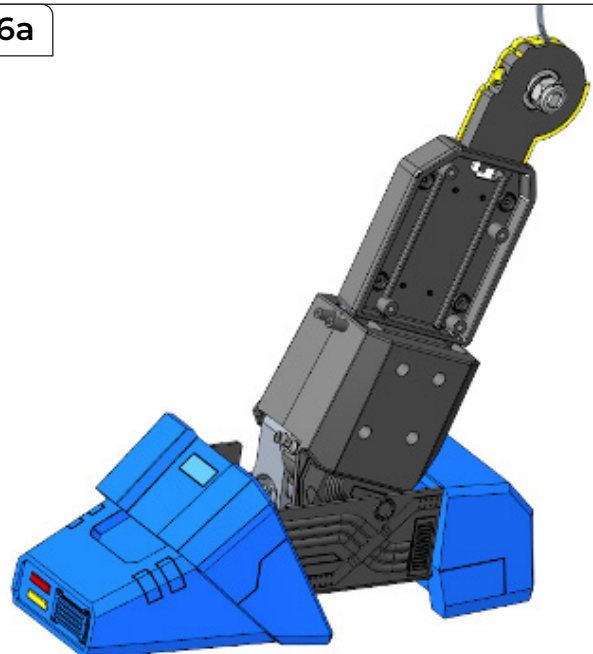
15a



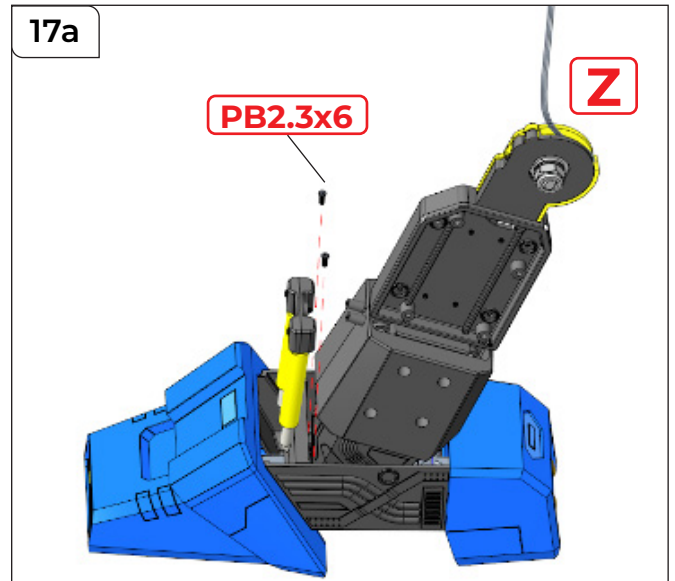
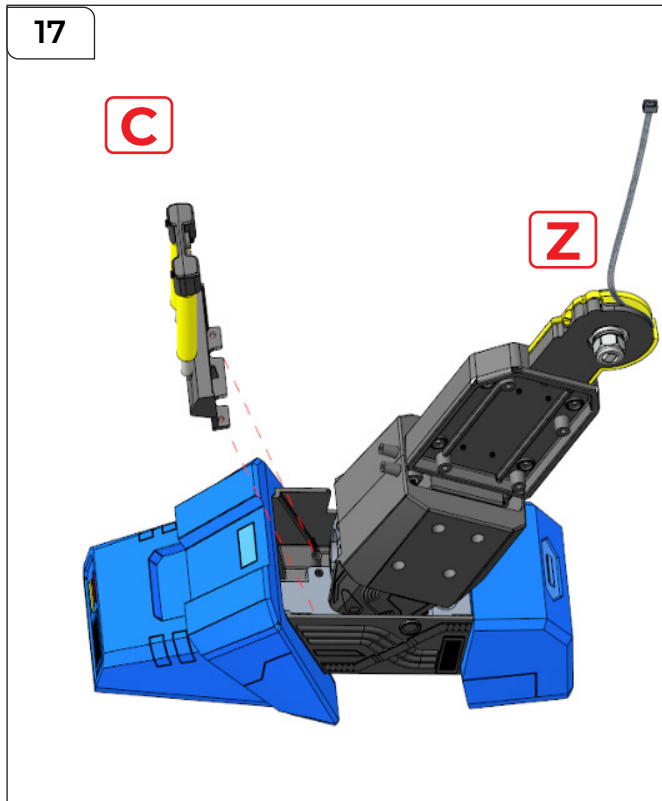
## STEP 16

Gently push the leg parts back by 20 degrees to continue the next steps.

16a

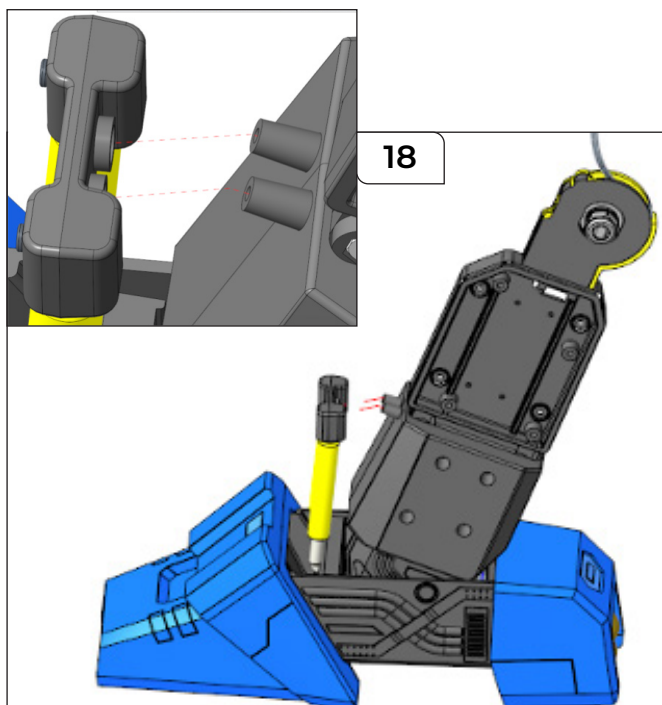


# Assembling the Left Foot



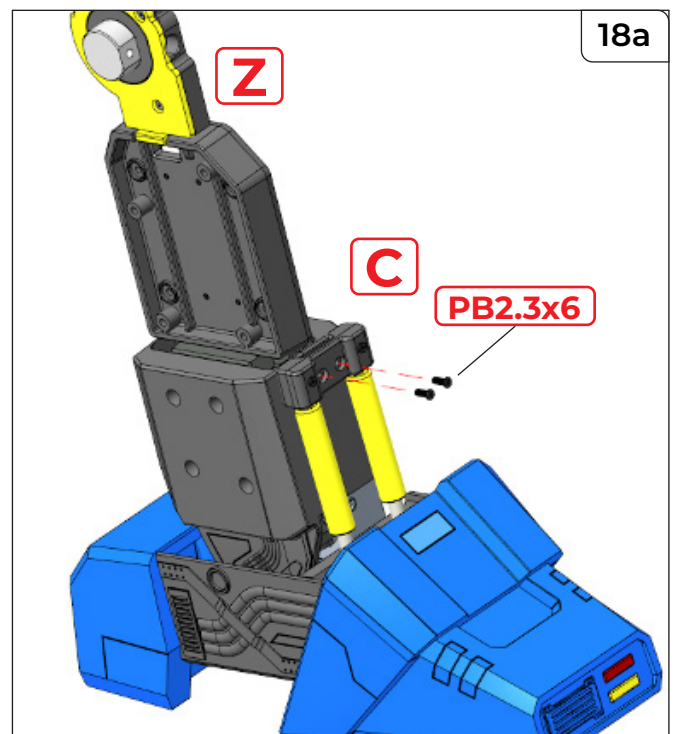
## STEP 17

Take assembly C and align the screw holes inside the foot. Secure in place using 2x PB2.3x6 mm screws.



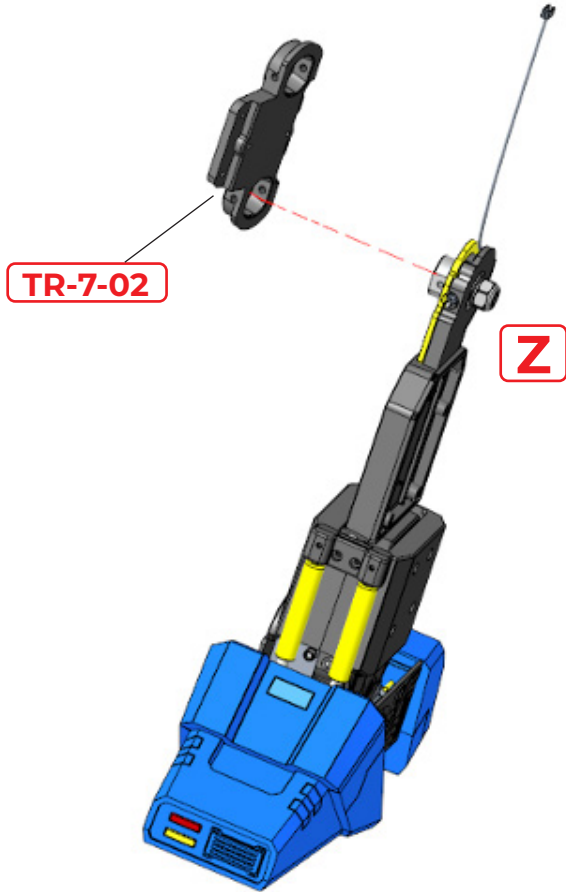
## STEP 18

Align the two upper screw holes and screw posts and fix together using 2x PB2.3x6 mm screws.



# Assembling the Left Foot

19



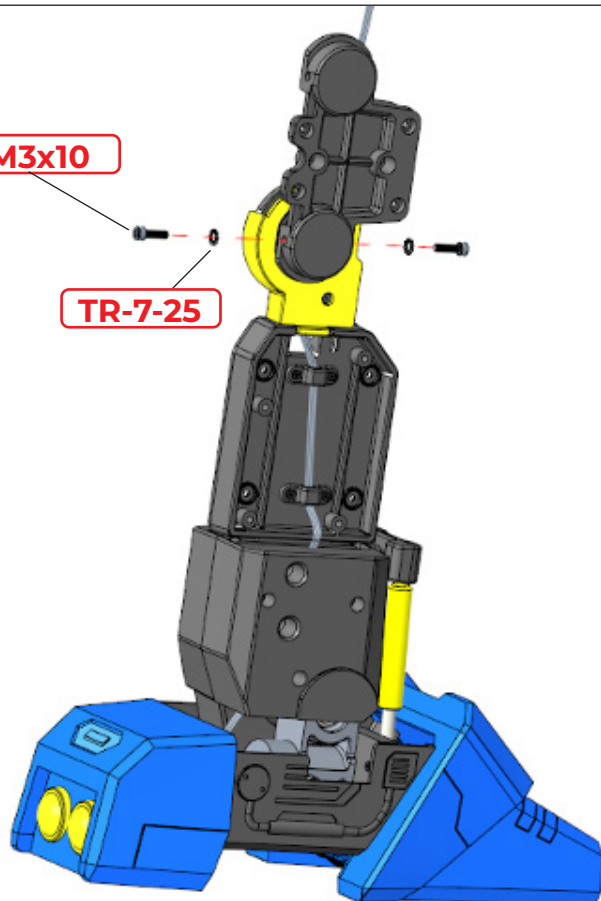
## STEP 19

Attach part TR-7-02 to Z and fix it using 2x TR-7-25 washers and 2x M3x10 mm screws.

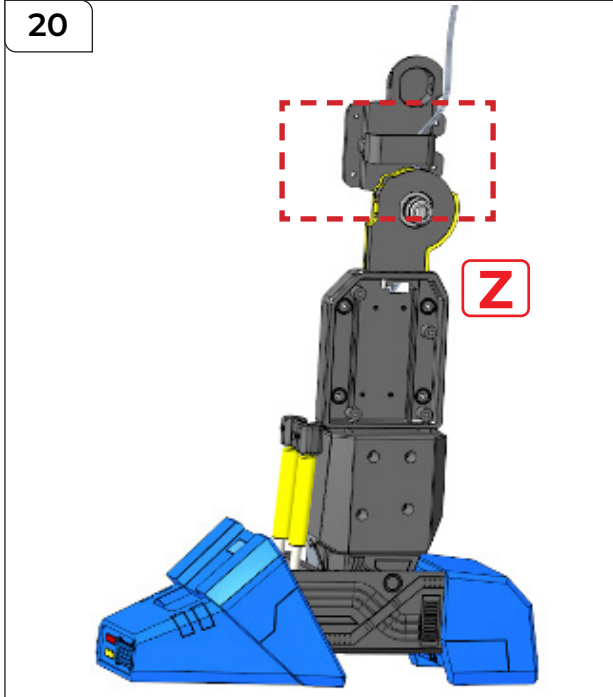
19a

M3x10

TR-7-25

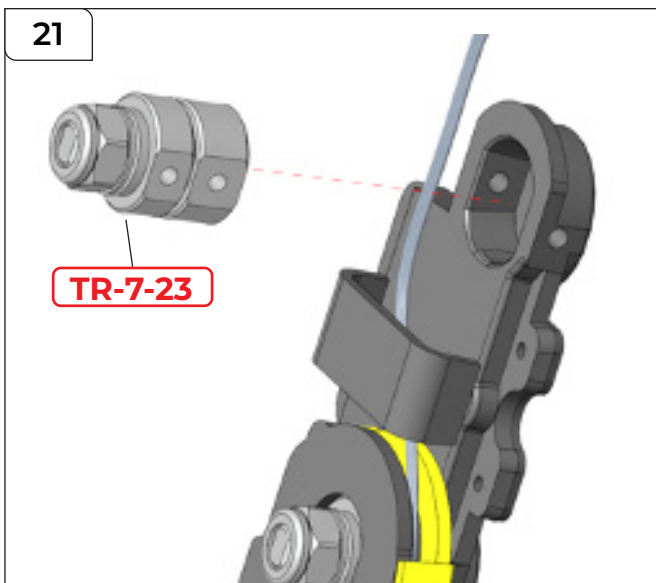
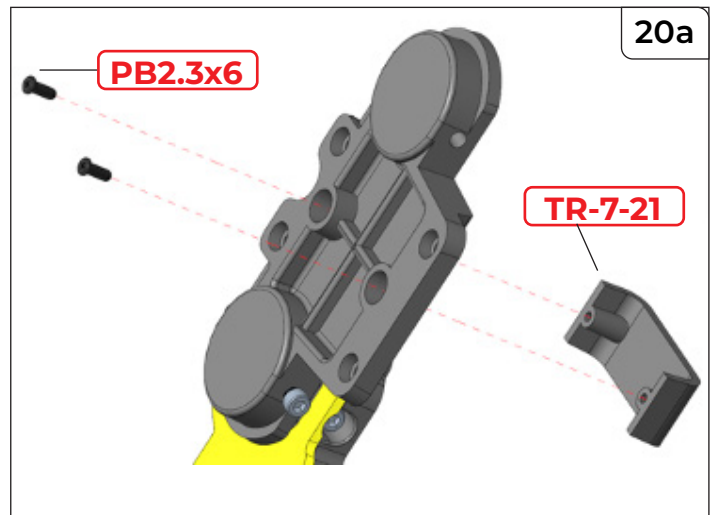


# Assembling the Left Foot



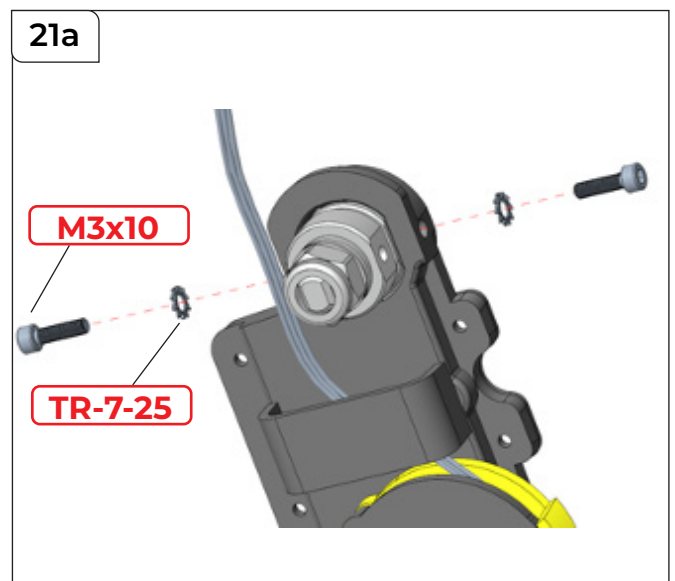
## STEP 20

Attach part TR-7-21 to Z and fix in place from the opposite side using 2x PB2.3x6 mm screws.



## STEP 21

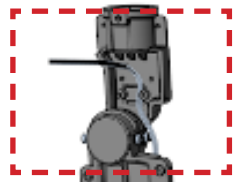
Attach part TR-7-23 to Z ensuring the screws holes are aligned. Fix in place using 2x TR-7-25 washers and 2x M3x10 mm screws.





# Assembling the Left Foot

22



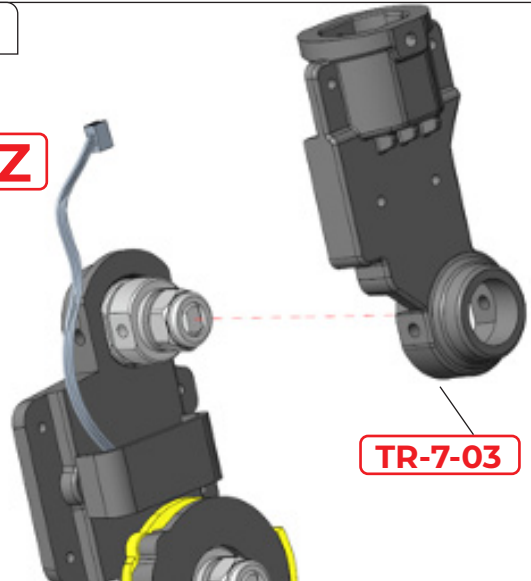
## STEP 22

Attach part TR-7-03 to Z and fix using 2x TR-7-25 washers and 2x M3x10 mm screws.

22a

Z

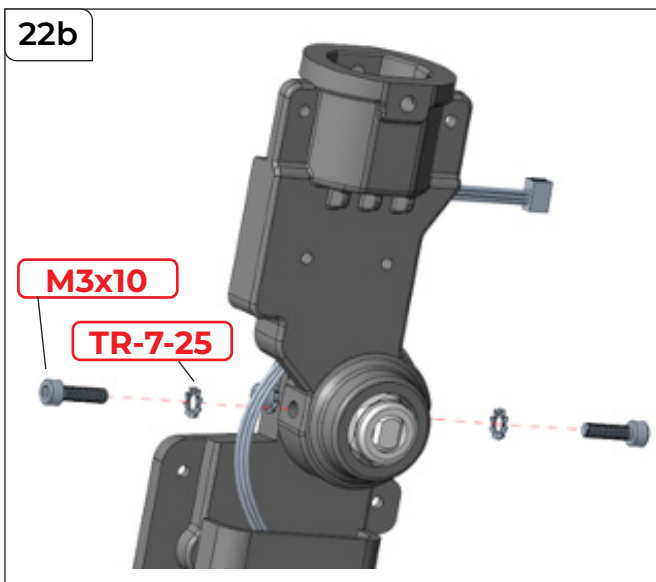
TR-7-03



22b

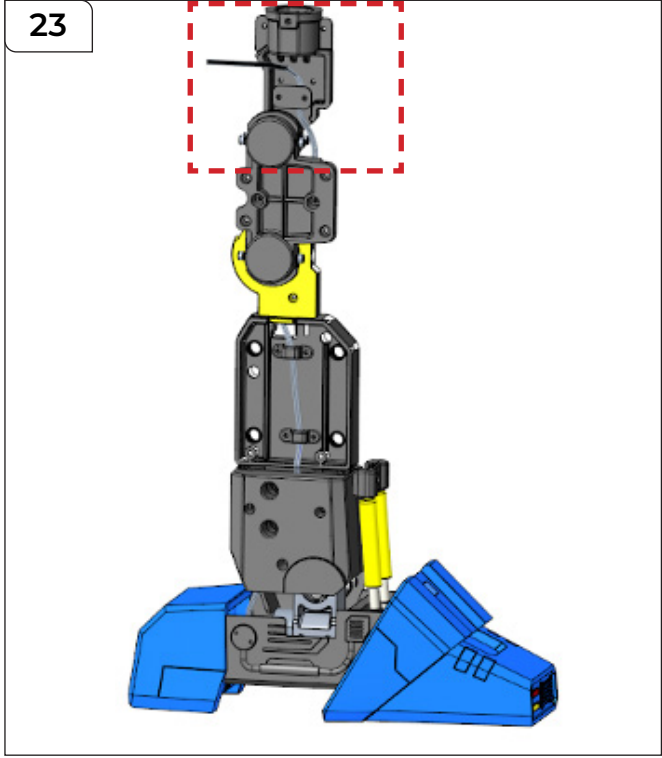
M3x10

TR-7-25



# Assembling the Left Foot

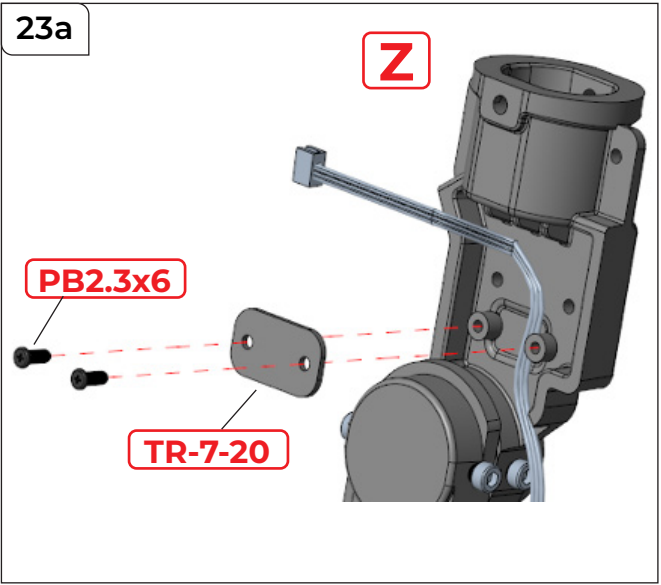
23



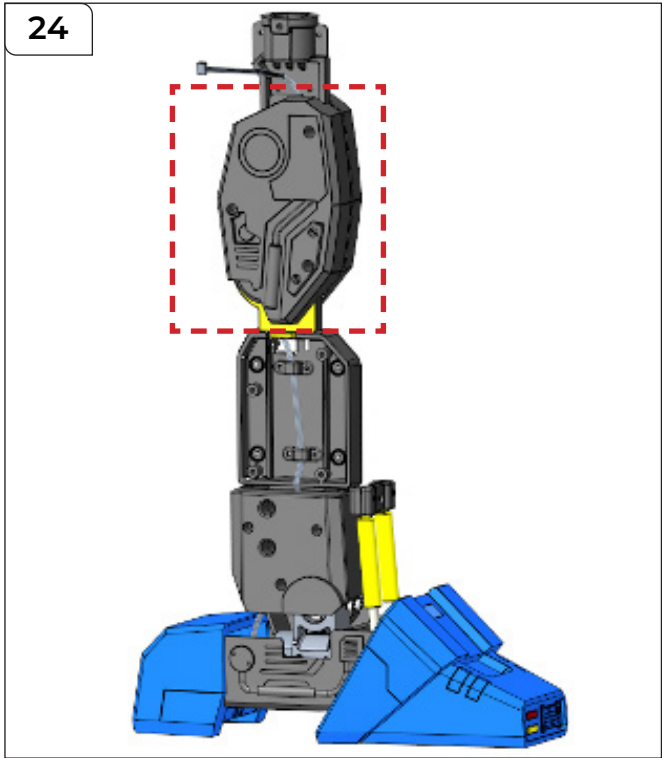
## STEP 23

Attach part TR-7-20 to Z and secure using 2x PB2.3x6 mm screws.

23a



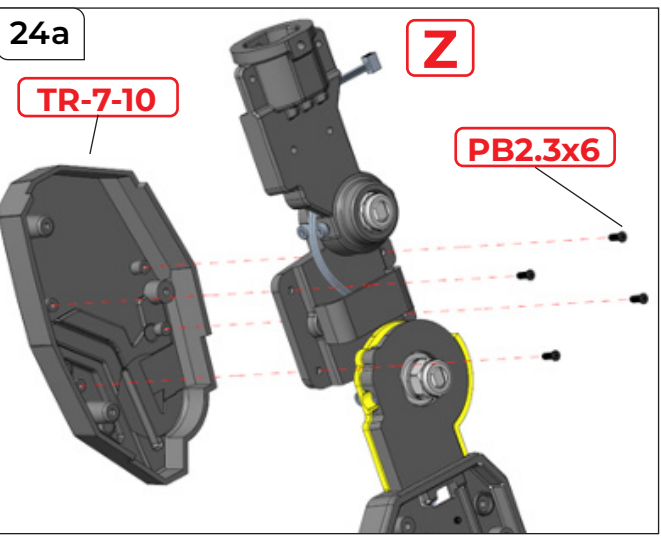
24



## STEP 24

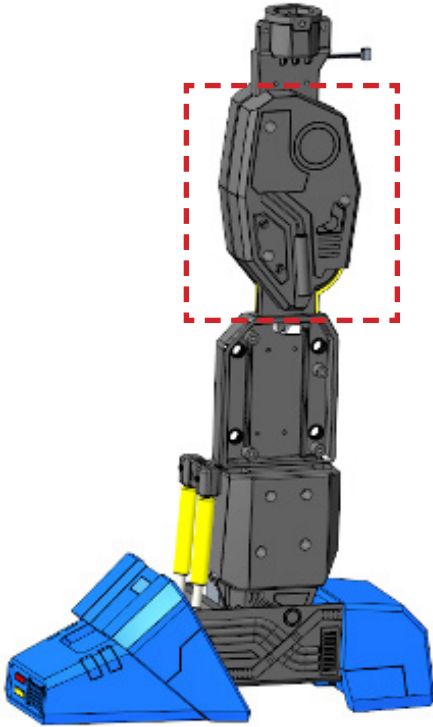
Attach part TR-7-10 to Z and secure using 4x PB2.3x6 mm screws.

24a



# Assembling the Left Foot

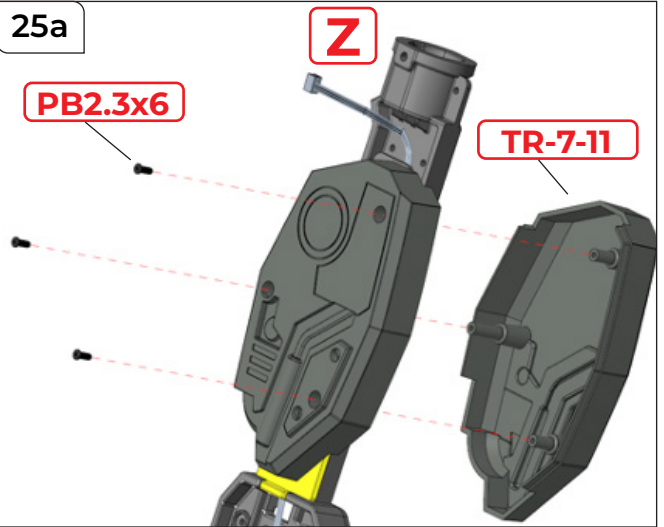
25



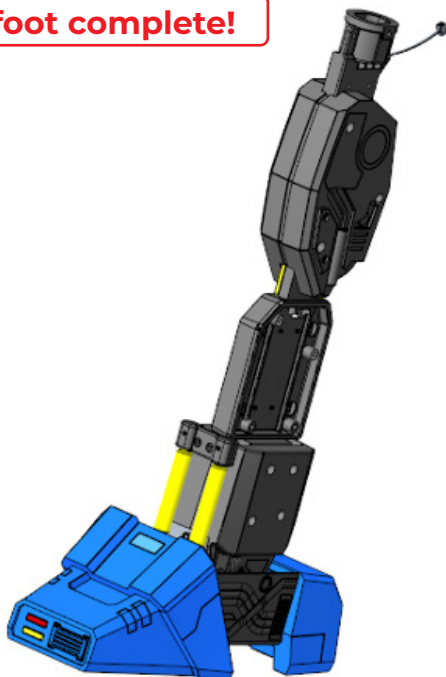
## STEP 25

Attach part TR-7-11 to Z and secure using 3x PB2.3x6 mm screws.

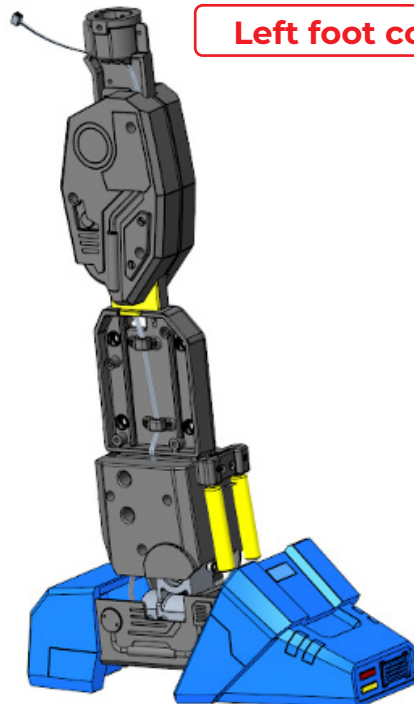
25a



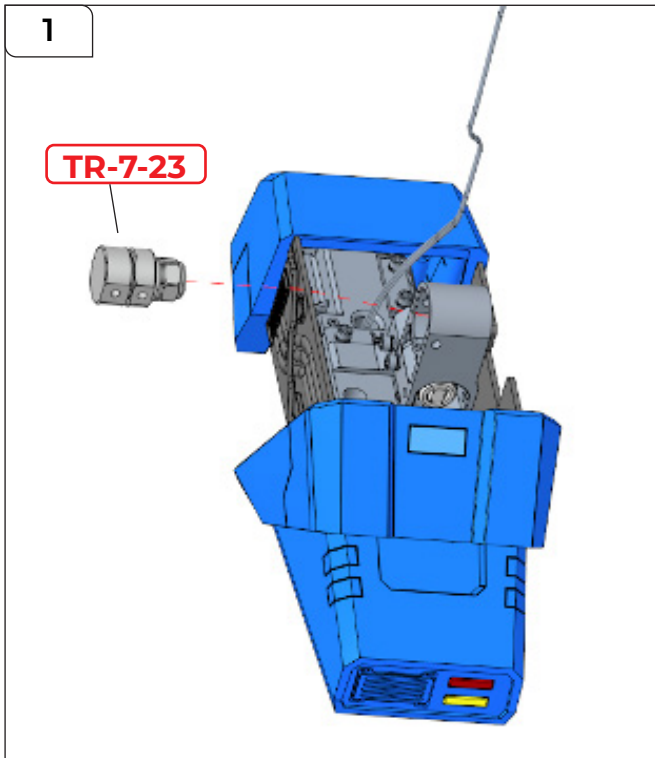
Left foot complete!



Left foot complete!

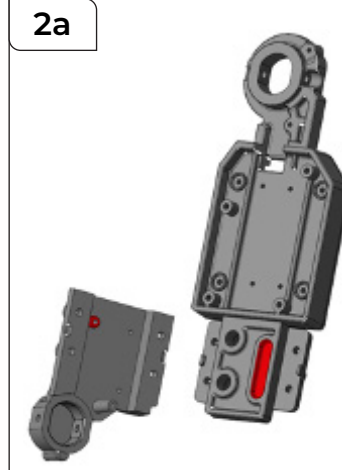
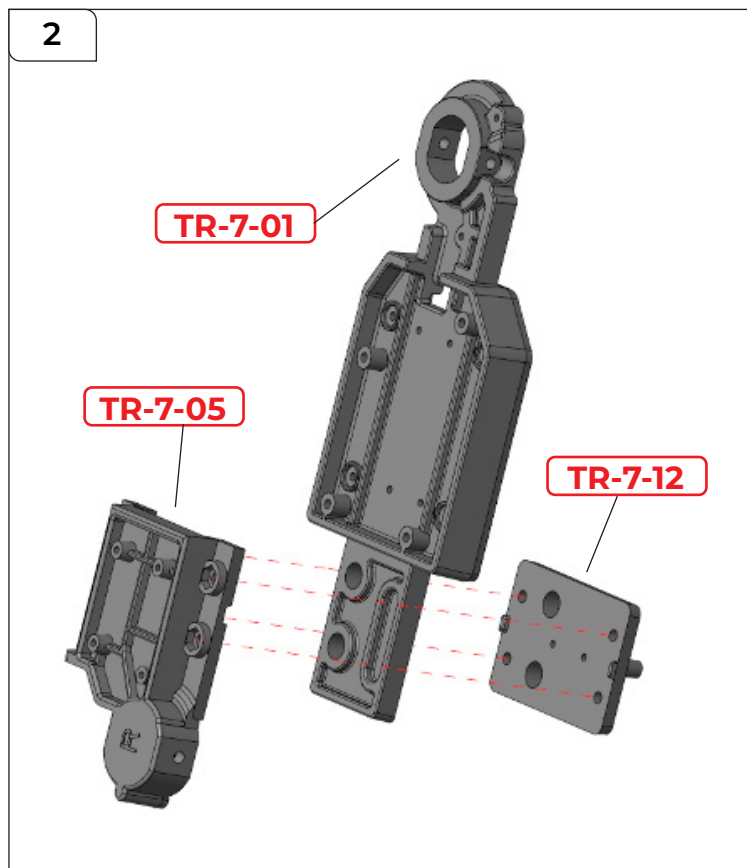
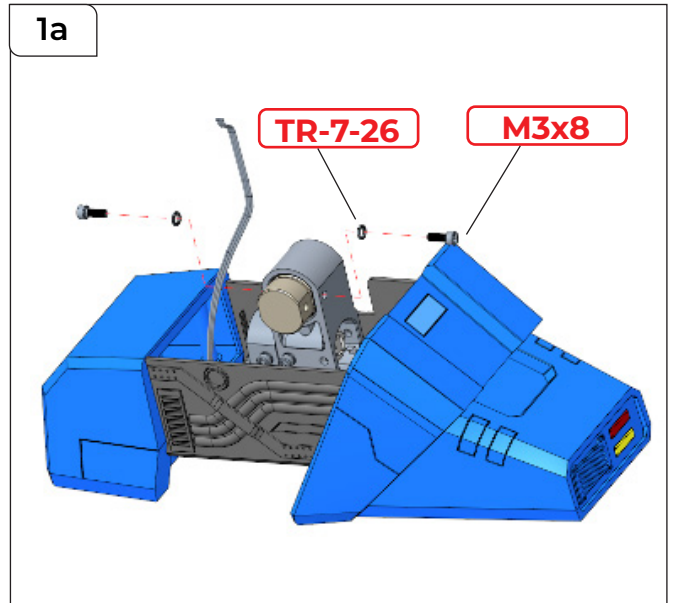


# Assembling the Right Foot



## STEP 1

Take the right foot assembled in Pack 6. Attach TR-7-23. Thread 2x washers TR-7-26 onto 2x M3x8 mm screws and secure the part in place.

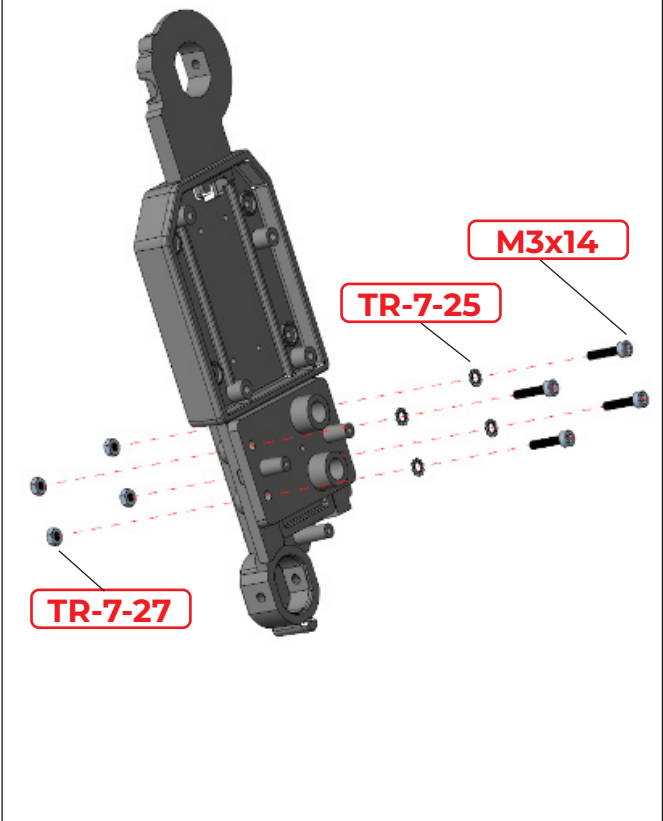


## STEP 2

Take part TR-7-01 (marked R) and attach TR-7-12 and TR-7-05. Note – the pin shown in red on 05 slides within the recess shown in red on 01 (2a).

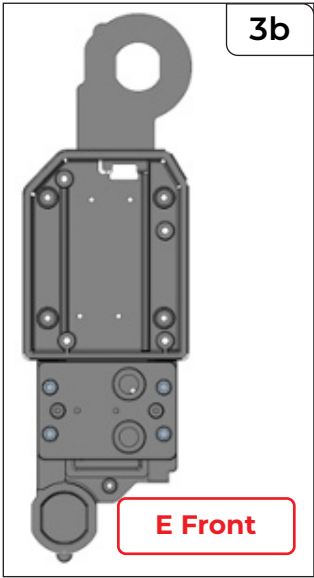
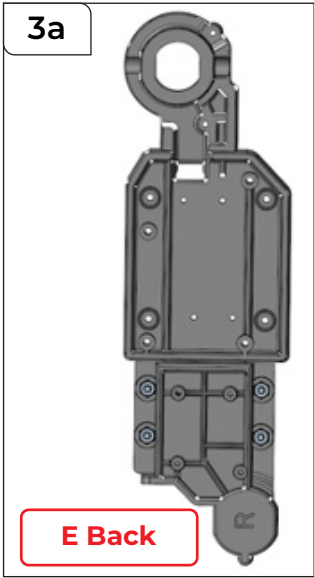
# Assembling the Right Foot

3

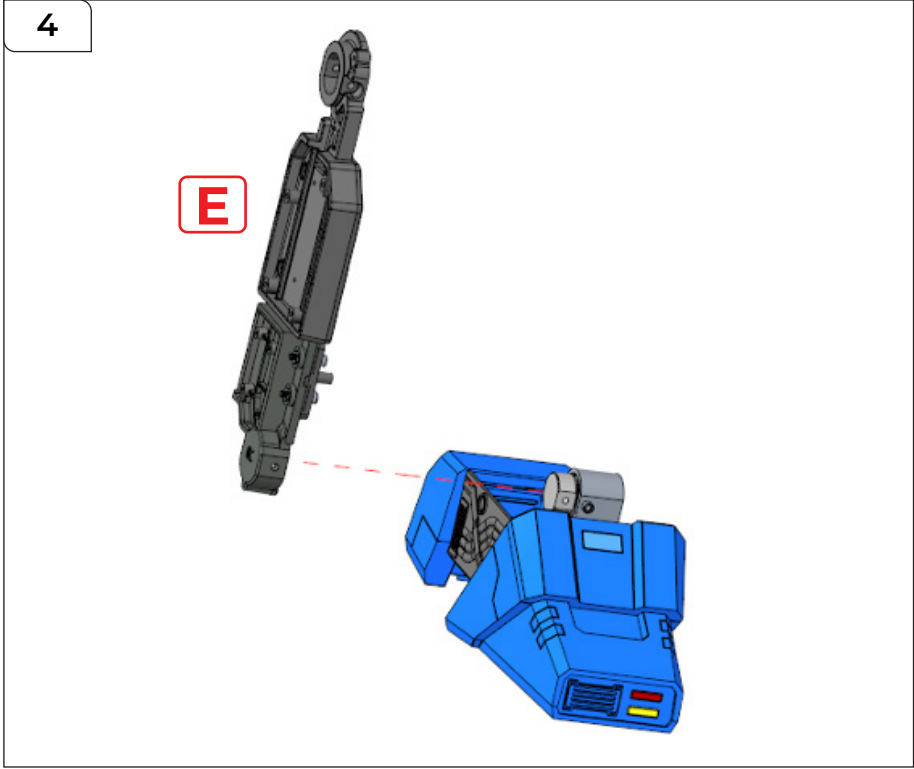


## STEP 3

Thread 4x TR-7-25 washers onto 4x M3x14 mm screws. Place them in the screw holes indicated then secure from the opposite side using 4x TR-7-27 nuts.



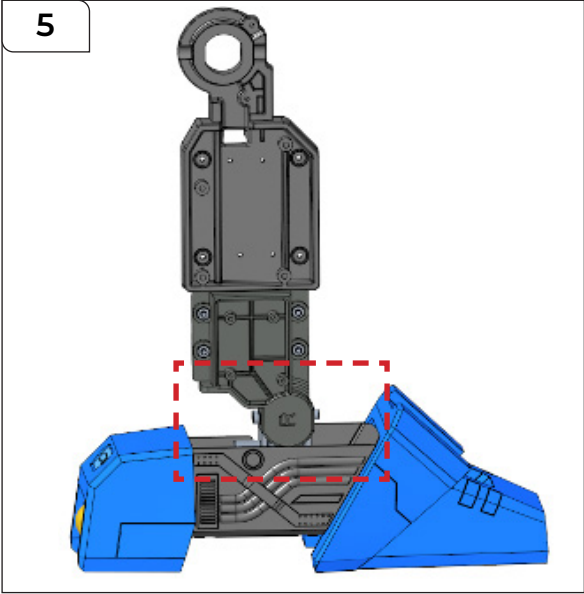
4



## STEP 4

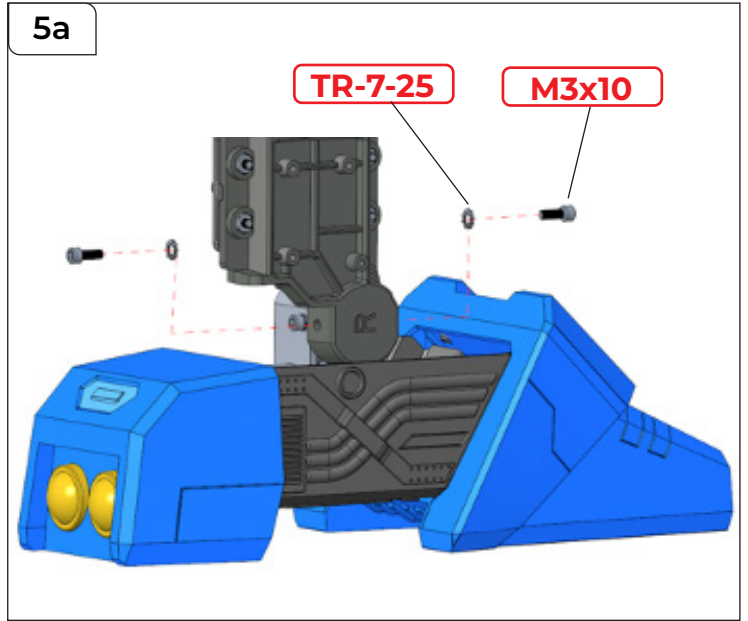
Attach E to the right foot.

# Assembling the Right Foot



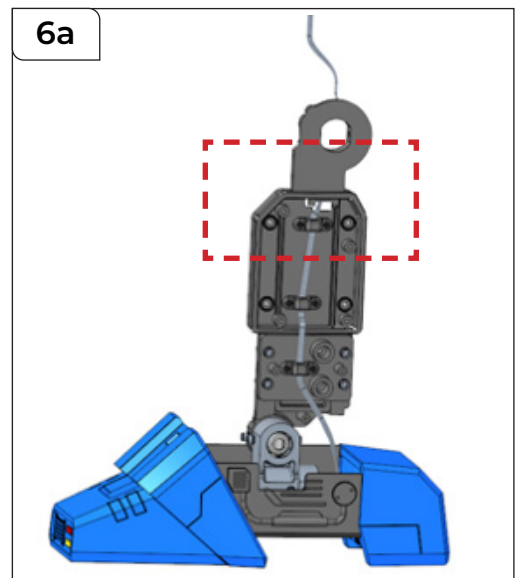
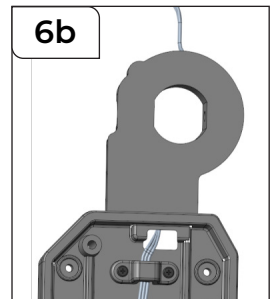
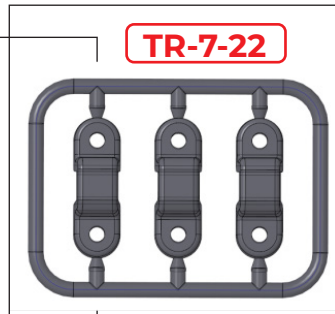
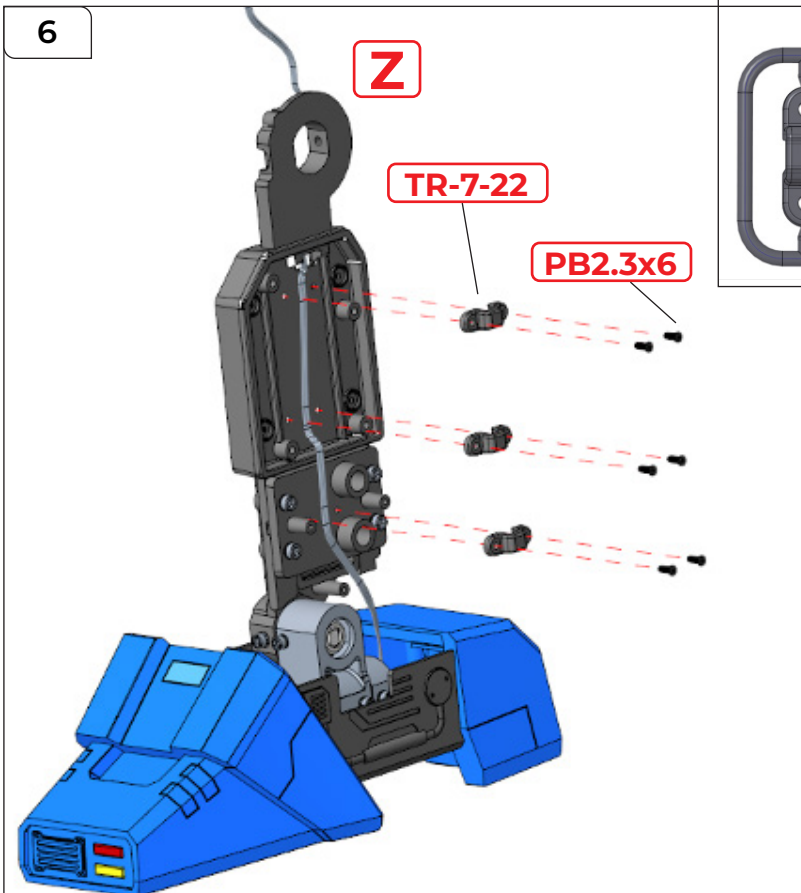
## STEP 5

Using 2 x TR-7-25 washers and 2x M3x10 mm screws, secure the parts in place.

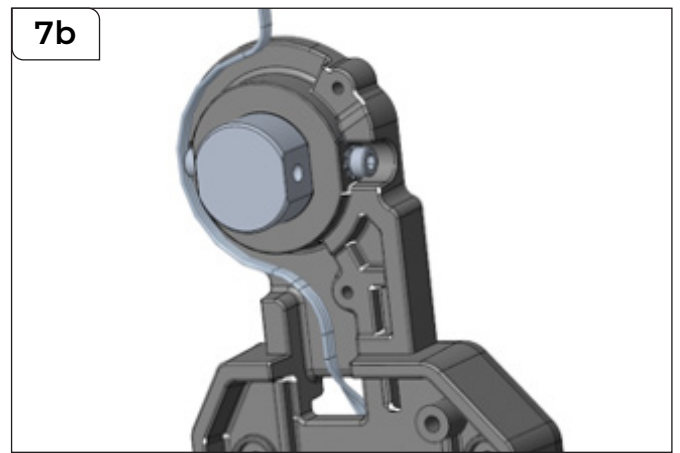
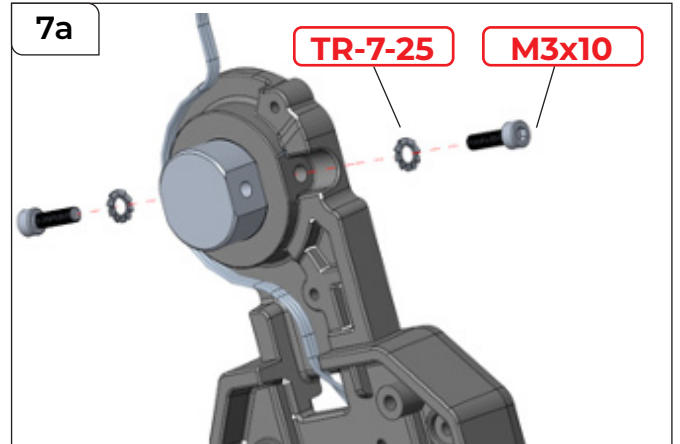
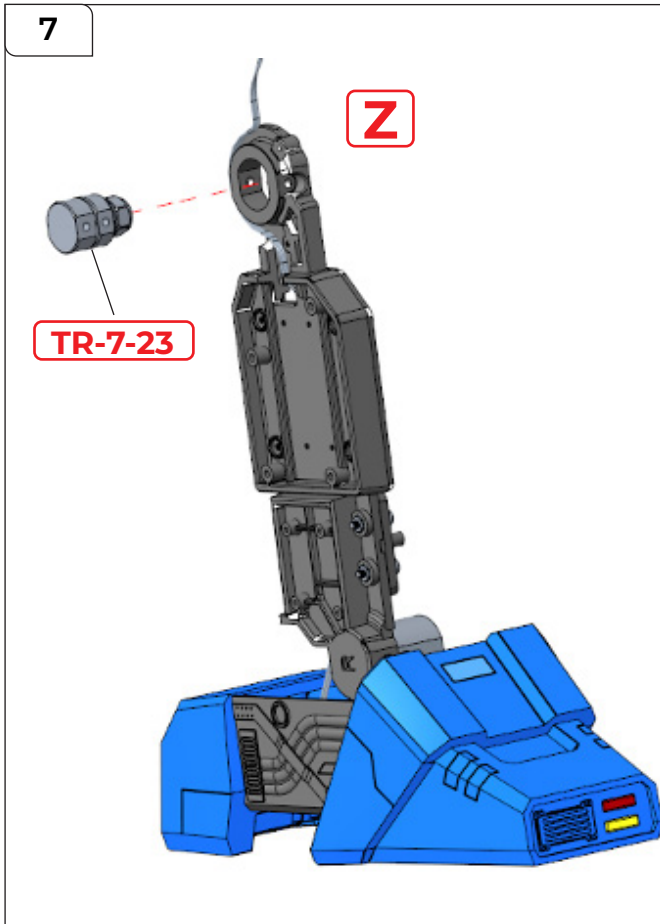


## STEP 6

Take 3x parts TR-7-22 and place them over the screw holes on Z. Secure them using 6x PB2.3x6 mm screws. Note: pay attention to the position of the cable (6b).



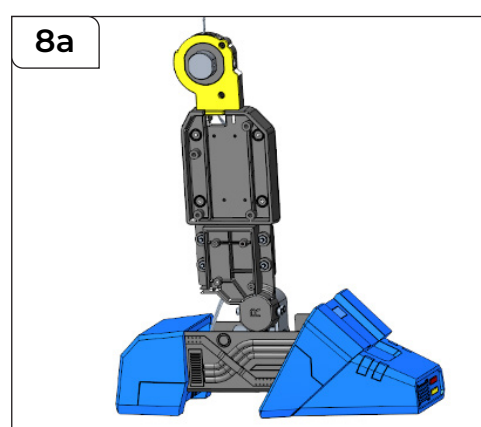
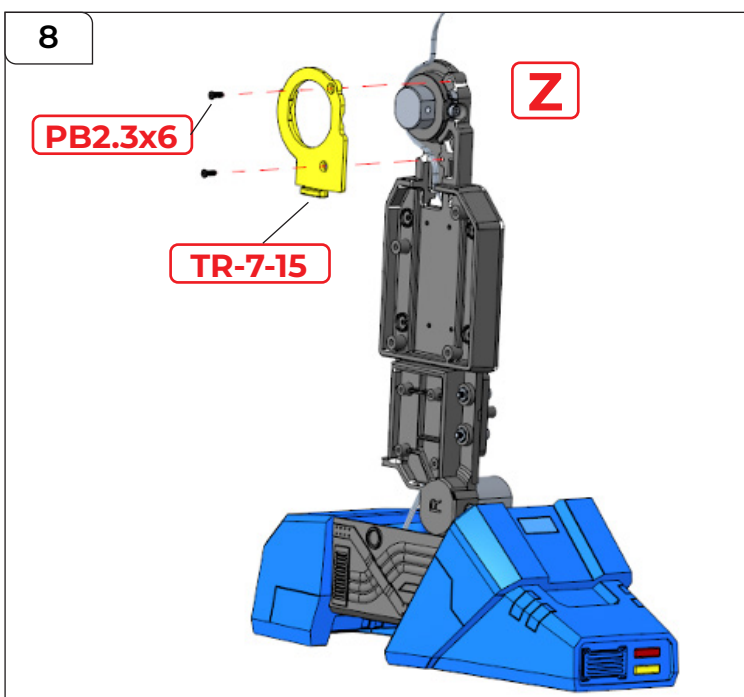
# Assembling the Right Foot



## STEP 7

Push TR-7-23 into Z.

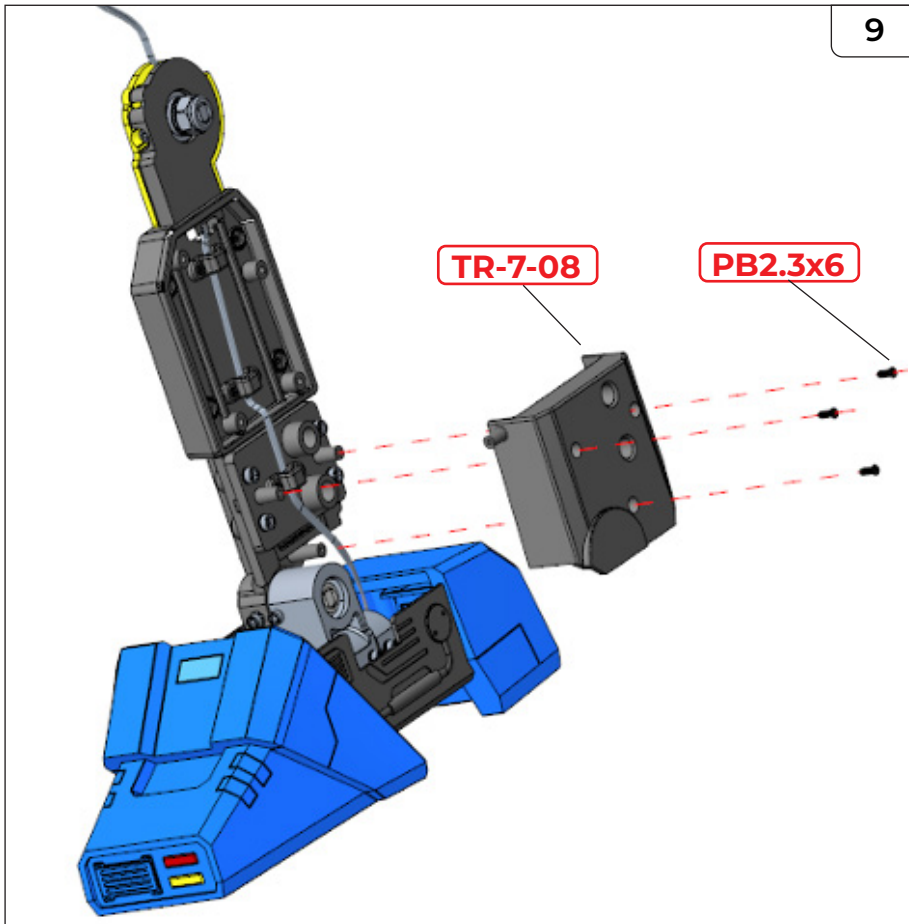
Using 2x TR-7-25 washers and 2x M3x10 mm screws, secure the part in place.



## STEP 8

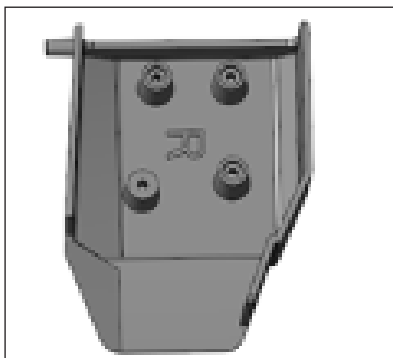
Attach TR-7-15 to Z and secure using 2x PB2.3x6 mm screws.

# Assembling the Right Foot



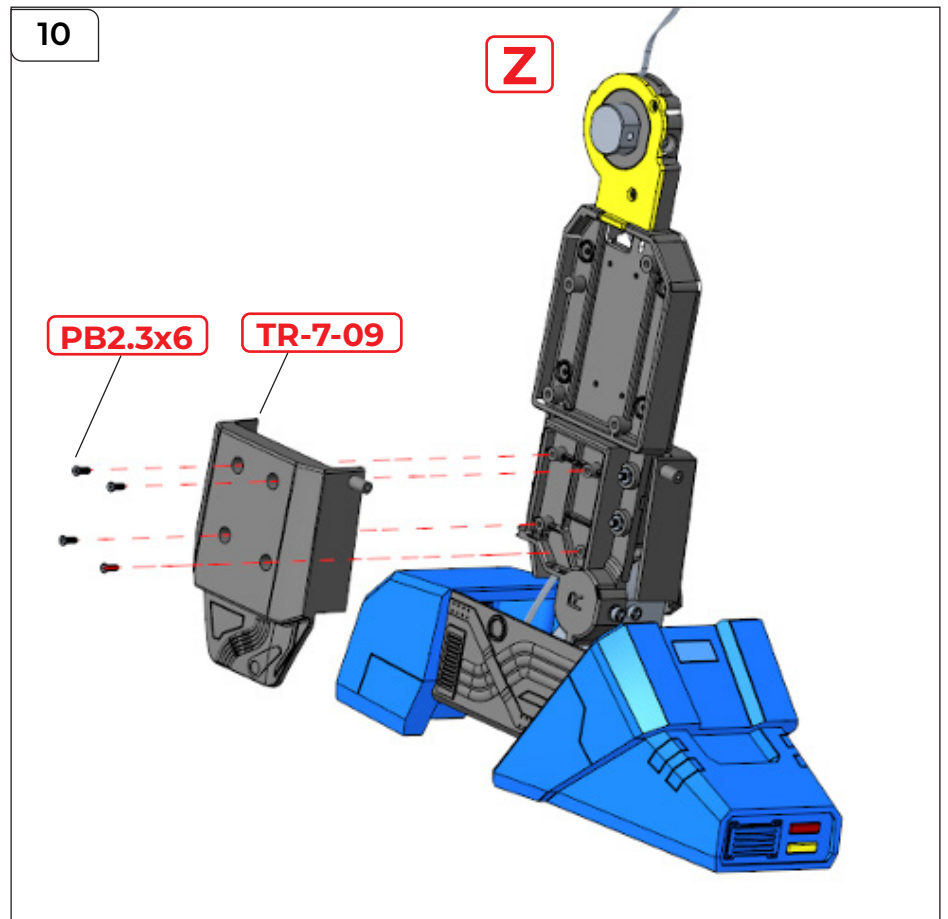
## STEP 9

Place TR-7-08 over the raised screw posts on Z and secure using 3x PB2.3x6 mm screws.



## STEP 10

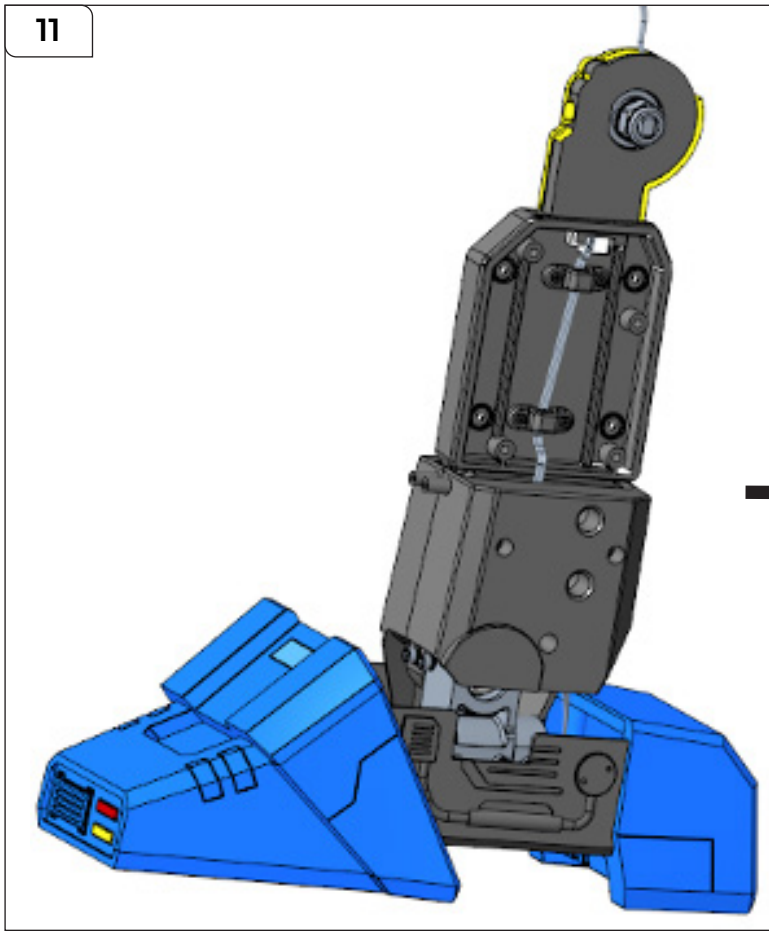
Place TR-7-09 over the screw posts on the opposite side of Z and secure in place using 4x PB2.3x6 mm screws





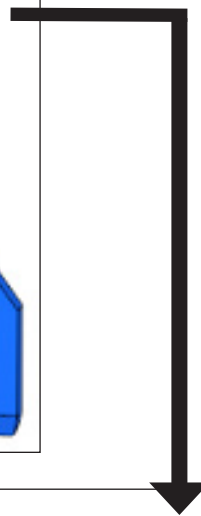
## Assembling the Right Foot

11

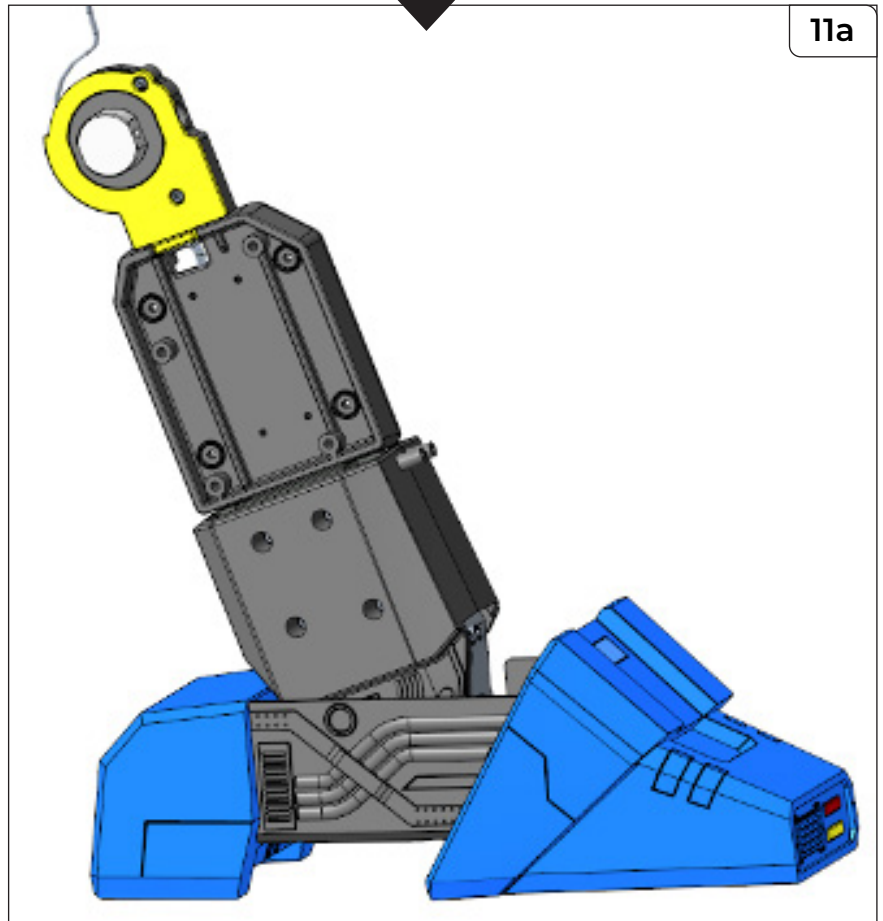


### STEP 11

Gently push the leg parts back by 20 degrees to continue the next steps.



11a

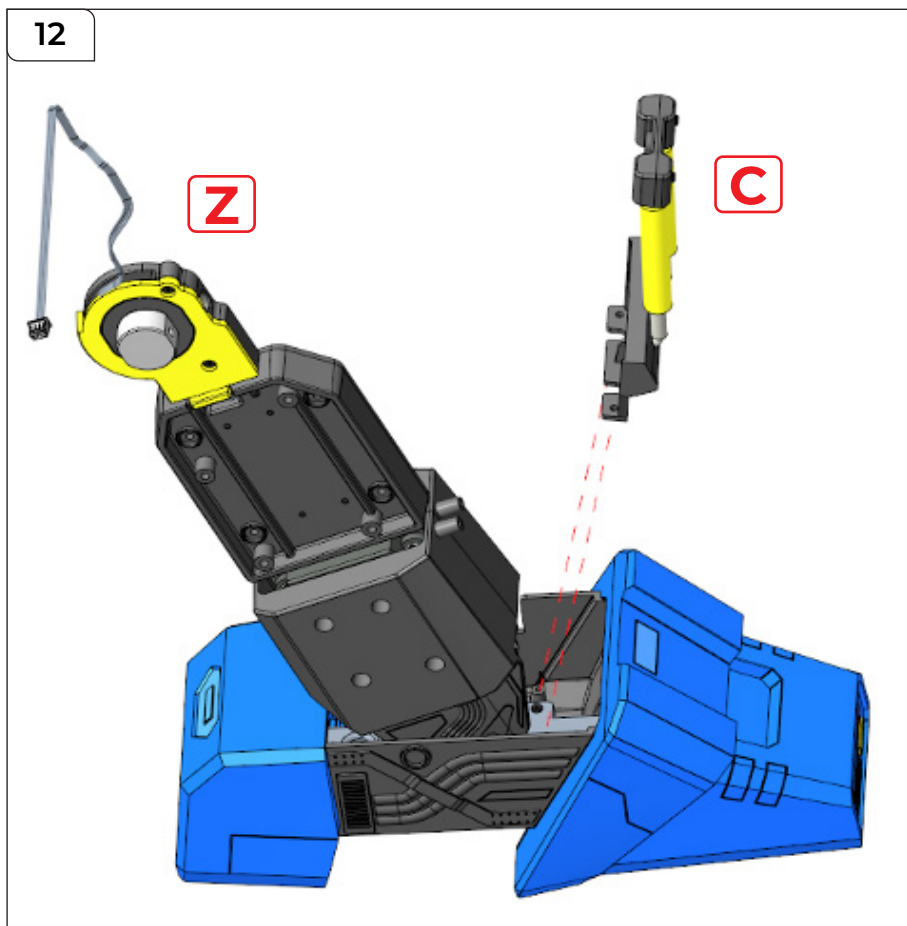


# Assembling the Right Foot

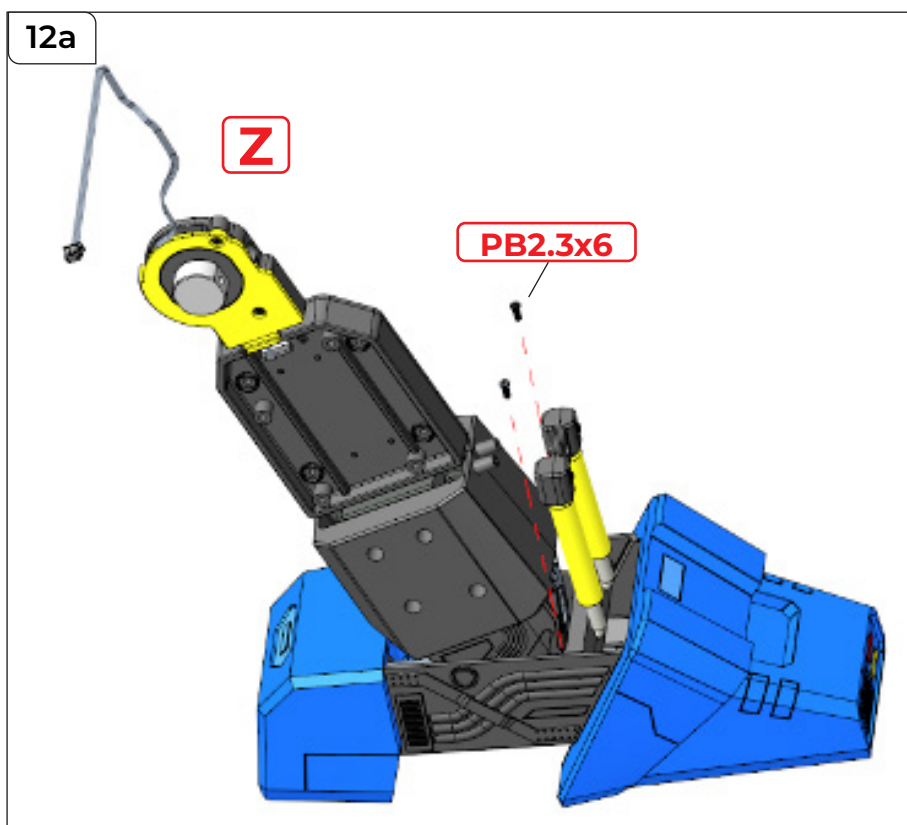
12

**STEP 12**

Take assembly C and align the screw holes inside the foot. Secure in place using 2x PB2.3x6 mm screws.



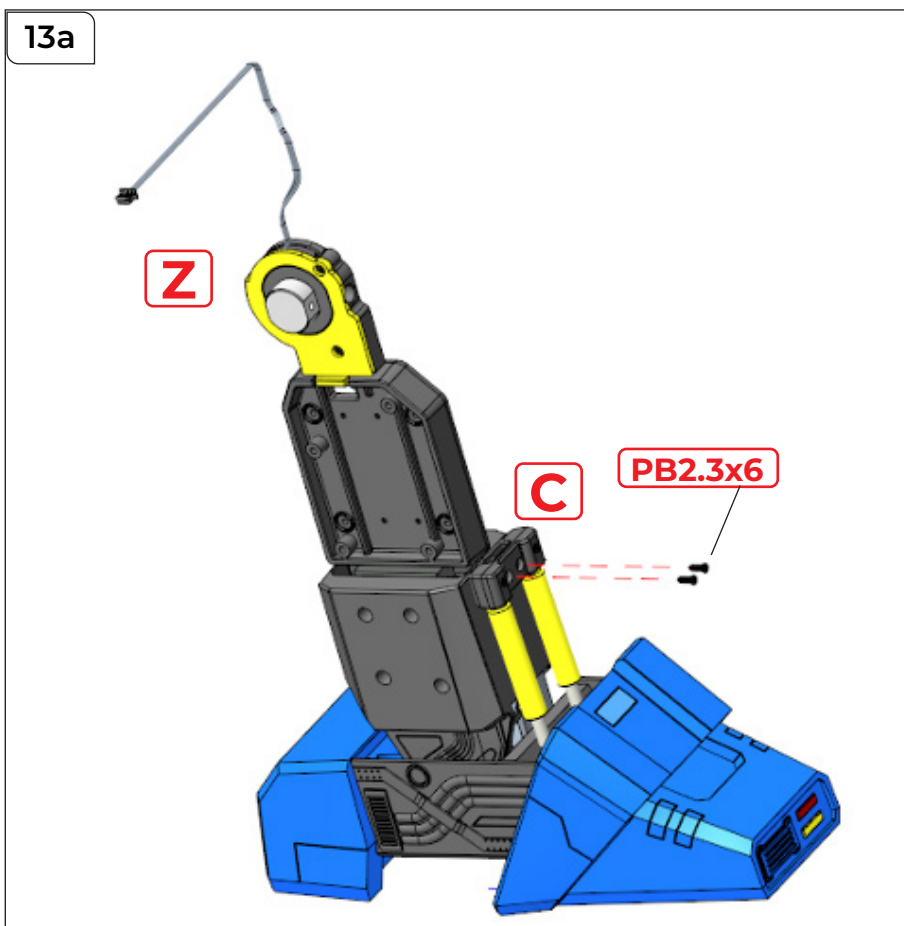
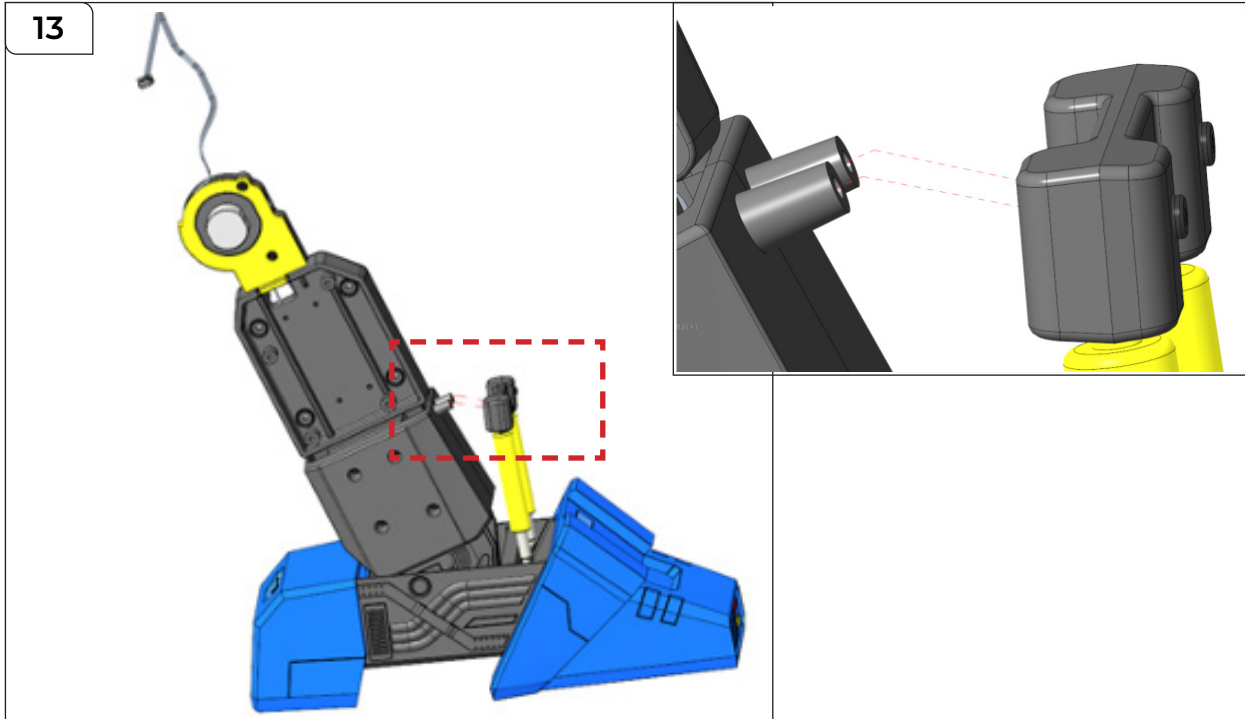
12a



# Assembling the Right Foot

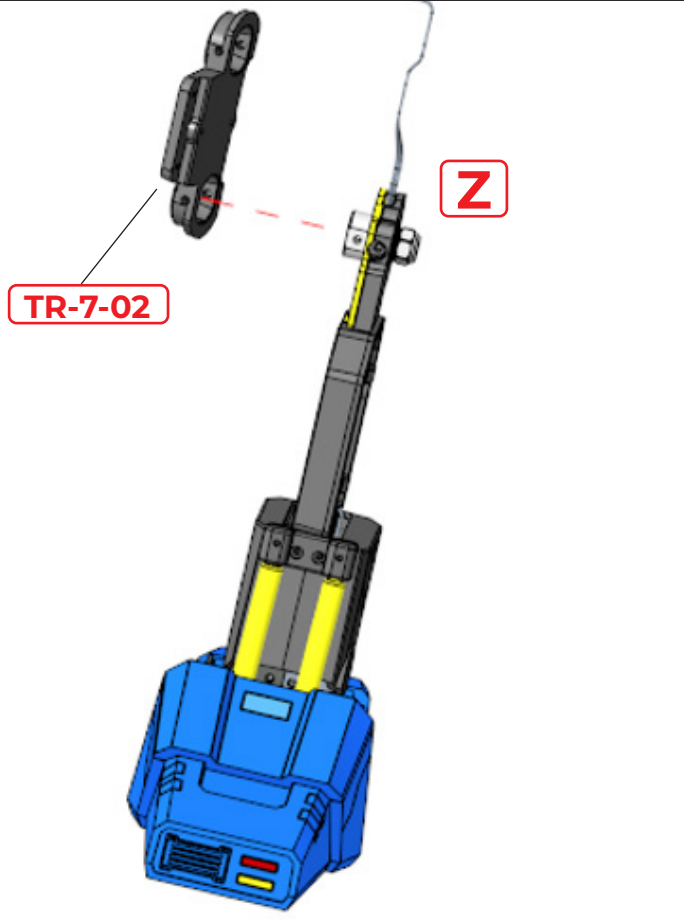
## STEP 13

Align the two upper scw holes and screw posts and fix together using 2x PB2.3x6 mm screws.



# Assembling the Right Foot

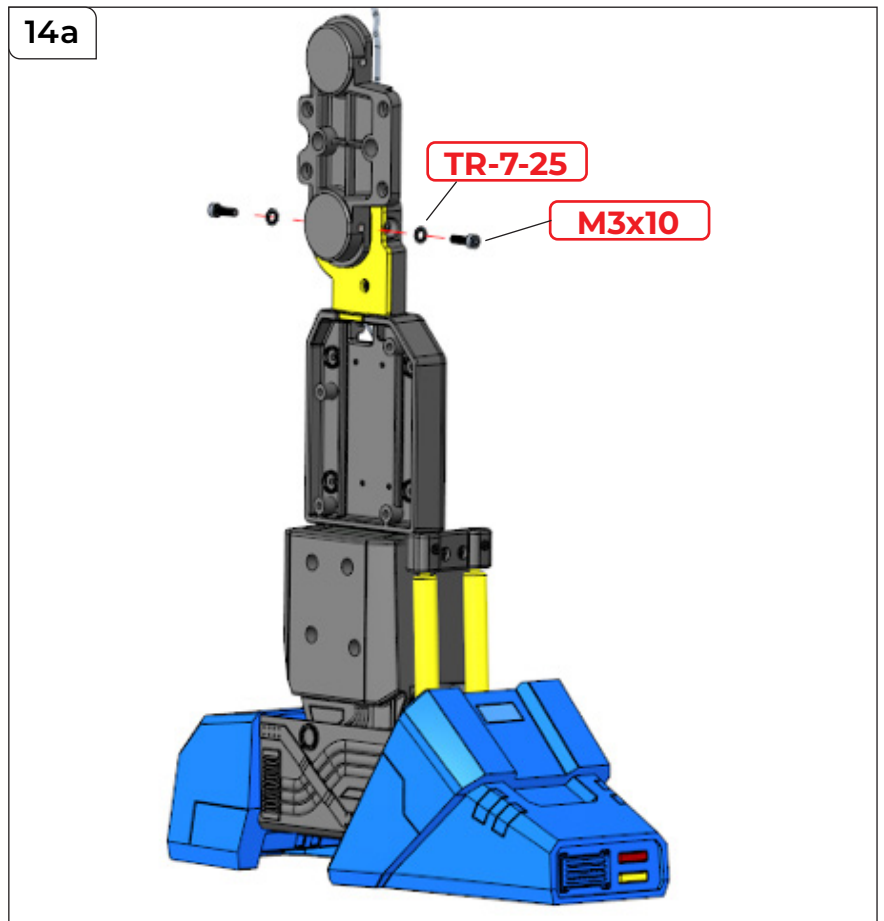
14



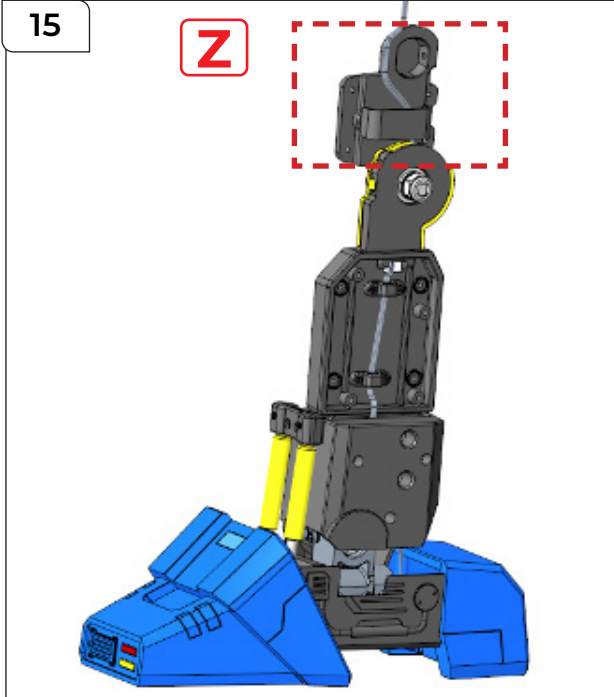
**STEP 14**

Attach part TR-7-02 to Z and fix it using 2x TR-7-25 washers and 2x M3x10 mm screws.

14a

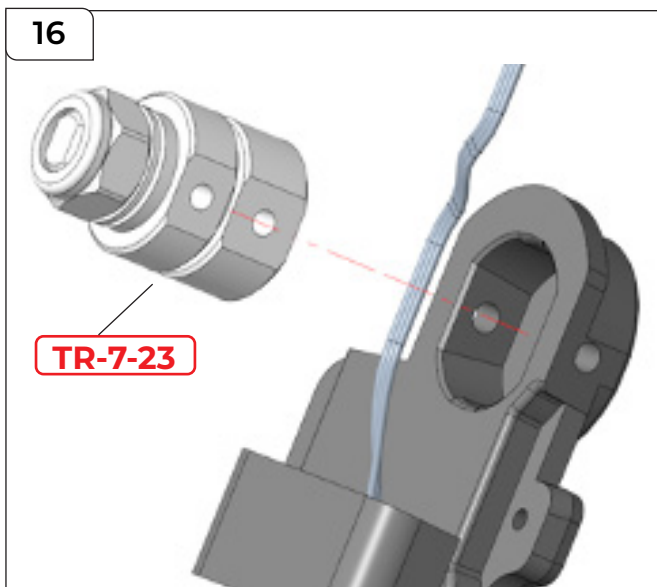
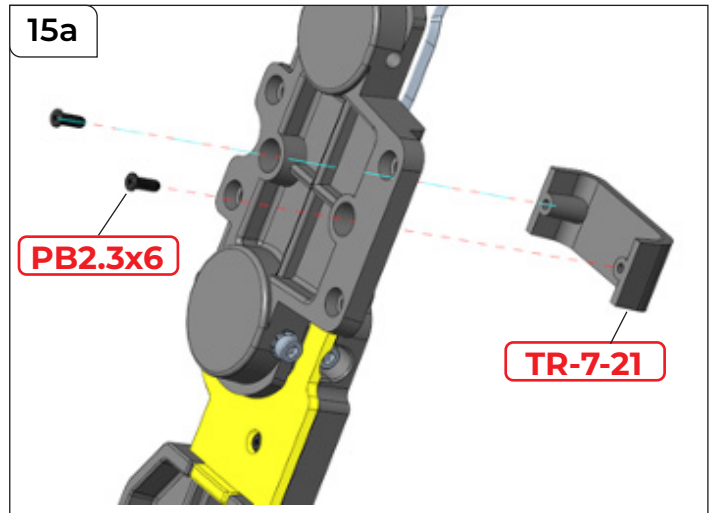


# Assembling the Right Foot



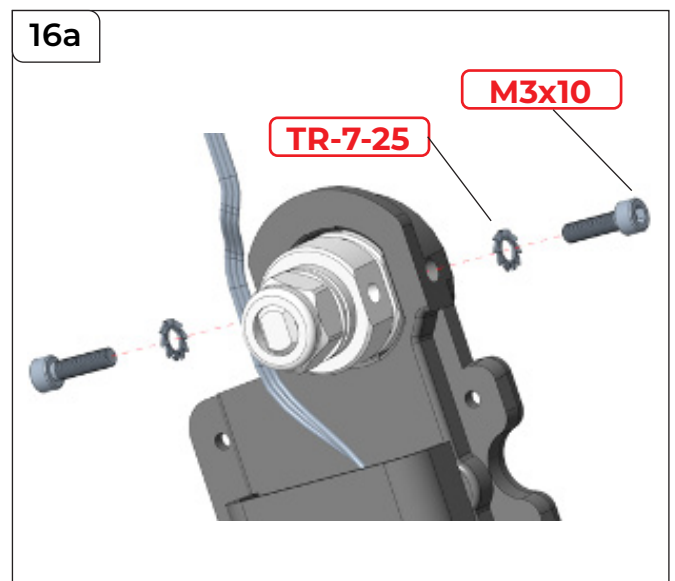
## STEP 15

Attach part TR-7-21 to Z and fix in place from the opposite side using 2x PB2.3x6 mm screws.



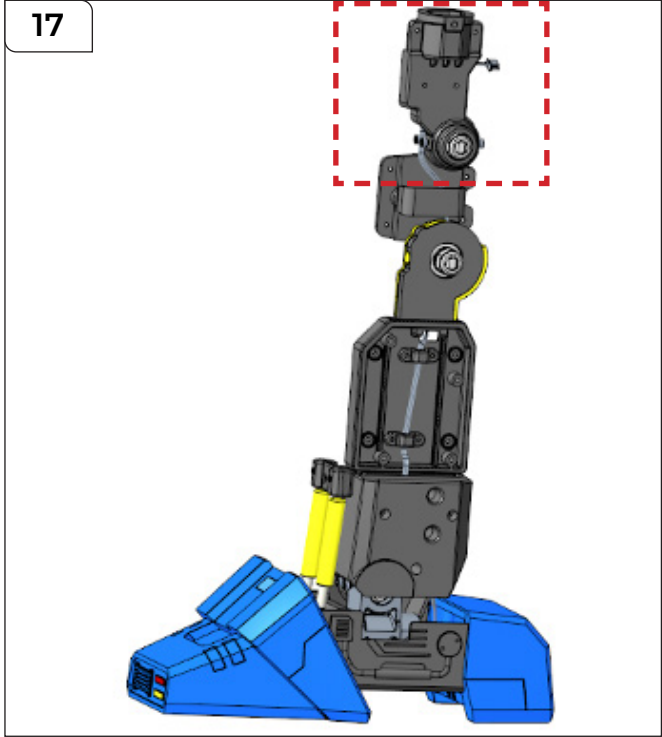
## STEP 16

Attach part TR-7-23 to Z ensuring the screws holes are aligned. Fix in place using 2x TR-7-25 washers and 2x M3x10 mm screws.



# Assembling the Right Foot

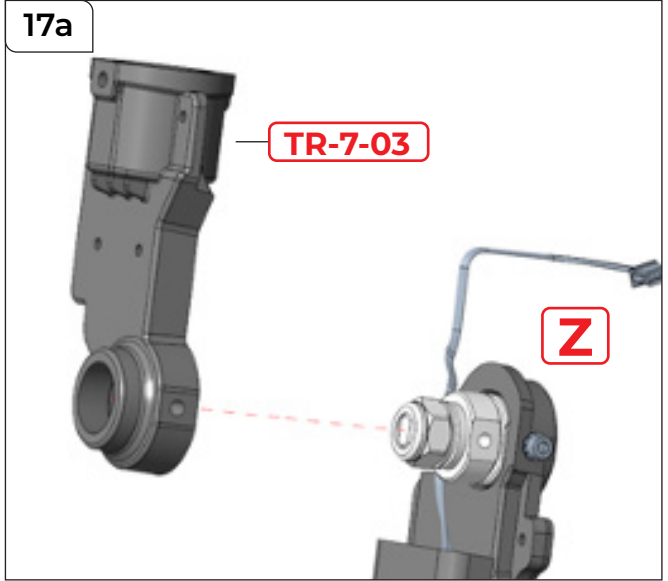
17



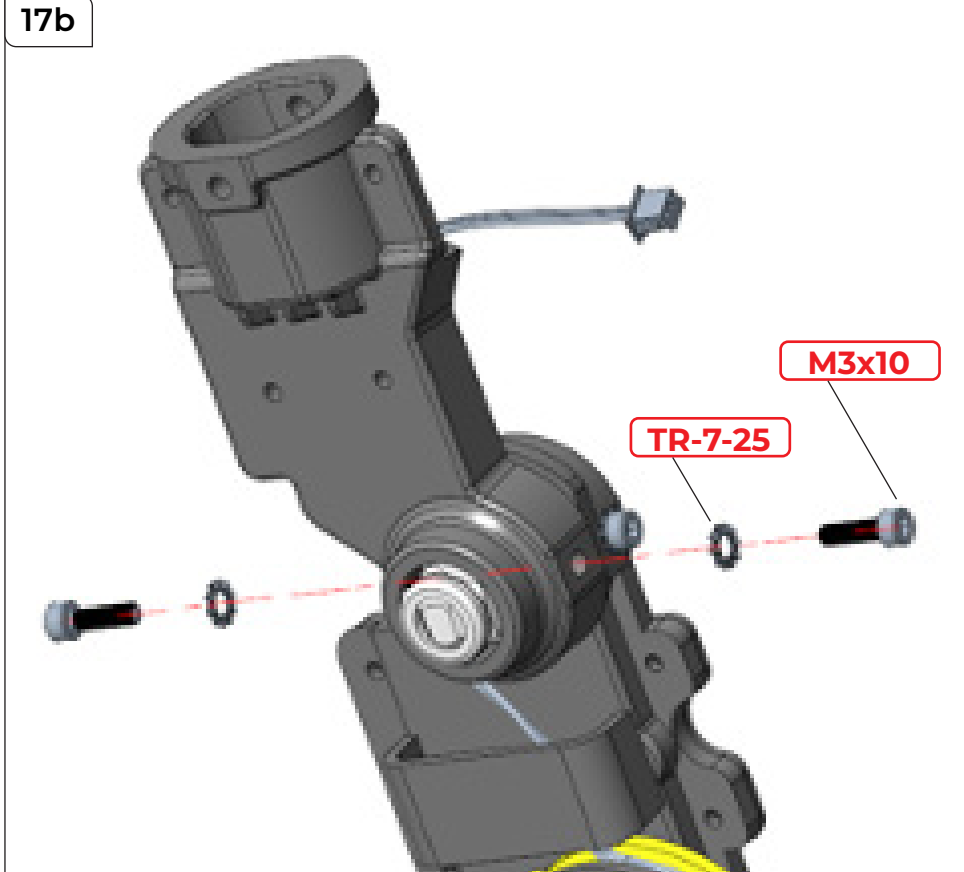
## STEP 17

Attach part TR-7-03 to Z and fix using 2x TR-7-25 washers and 2x M3x10 mm screws.

17a



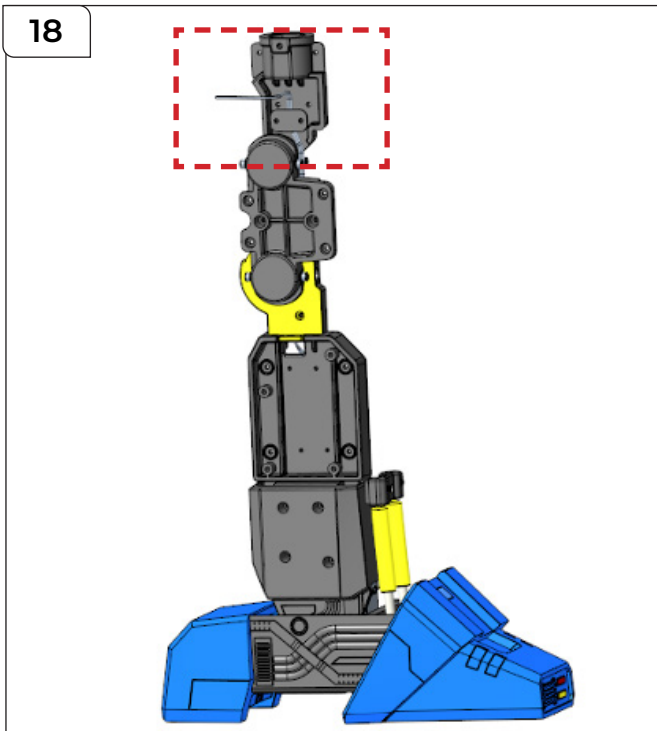
17b



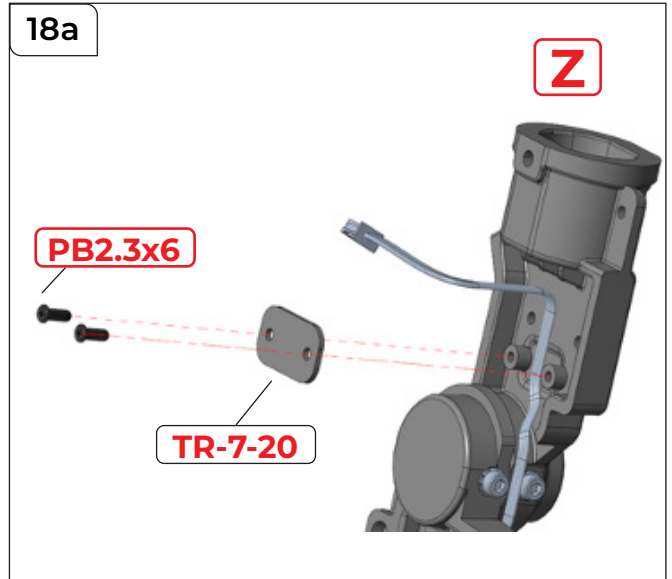
# Assembling the Right Foot

## STEP 18

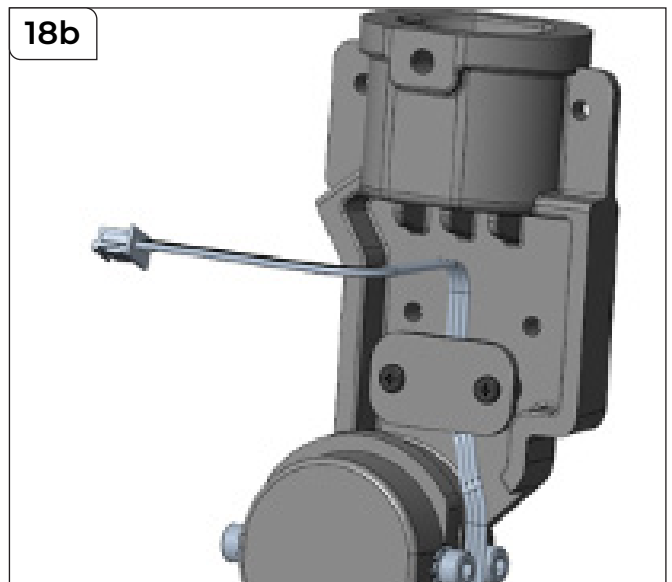
Attach part TR-7-20 to Z and secure using 2x PB2.3x6 mm screws.



18a

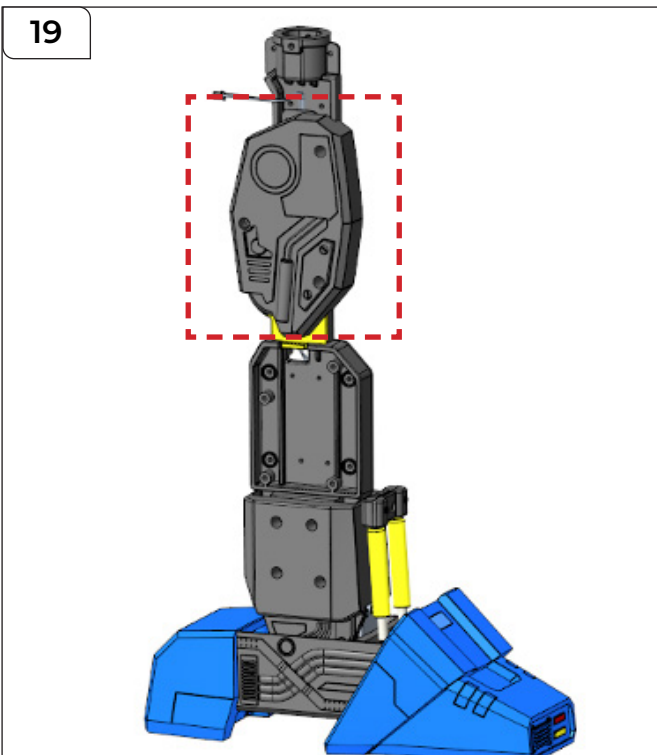


18b

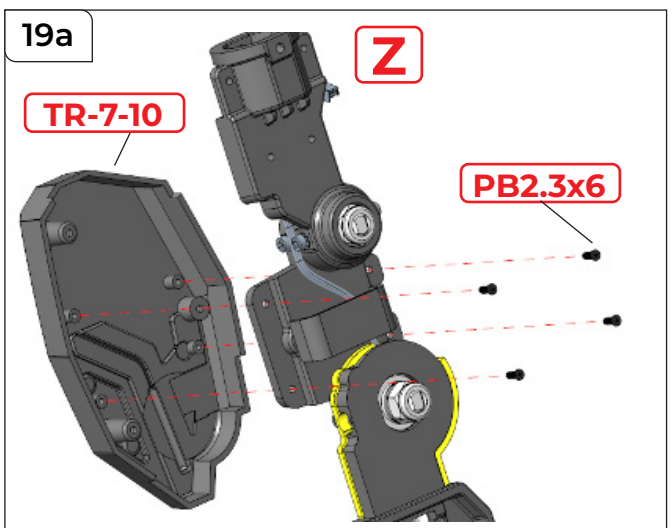


## STEP 19

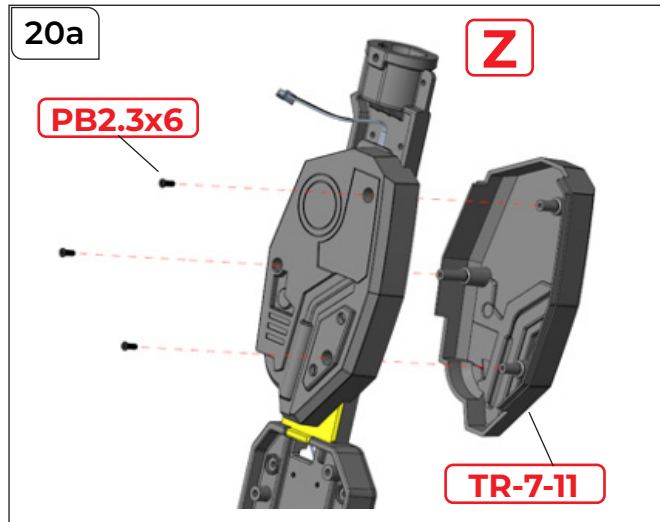
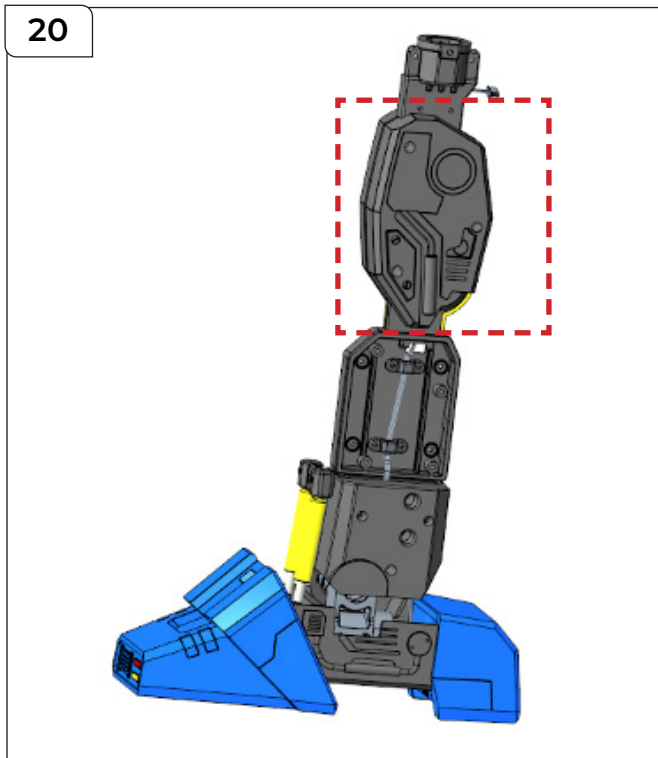
Attach part TR-7-10 to Z and secure using 4x PB2.3x6 mm screws.



19a

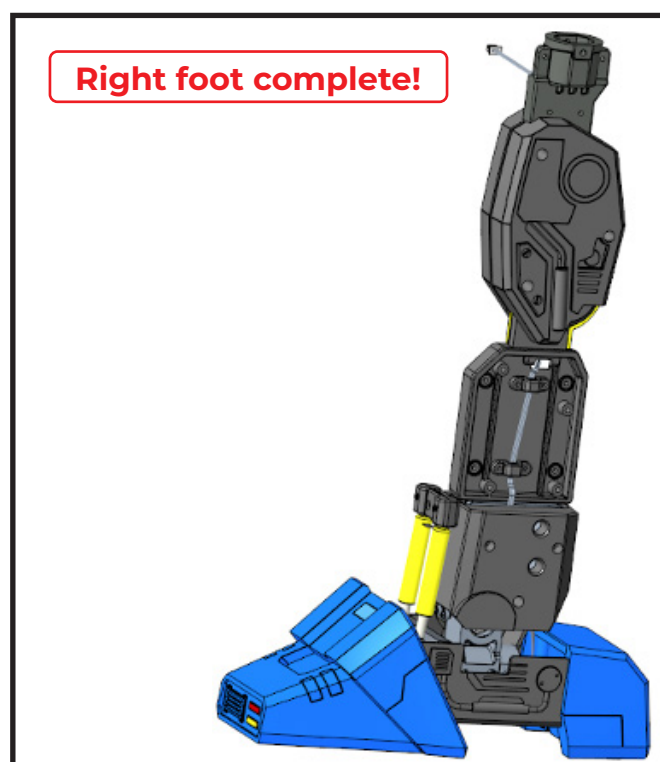
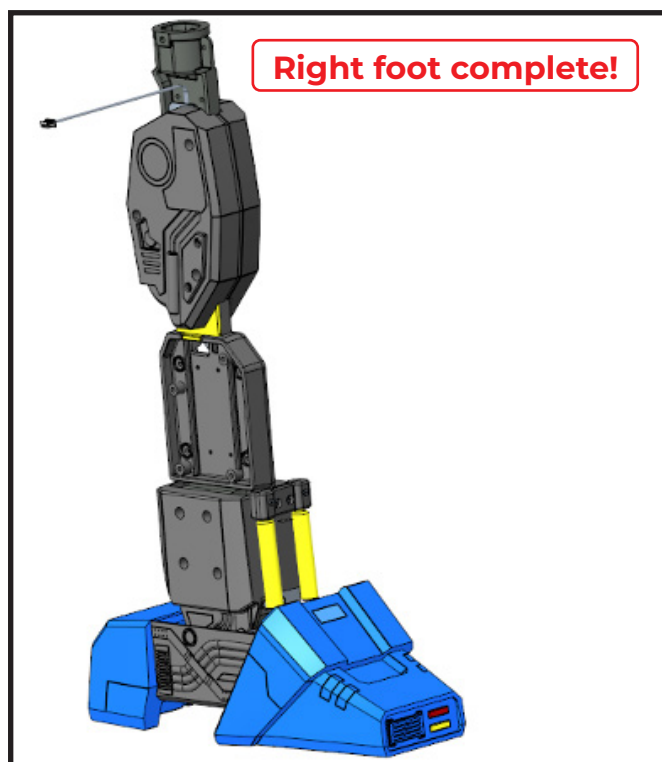


# Assembling the Right Foot



## STEP 20

Attach part TR-7-11 to Z and secure using 3x PB2.3x6 mm screws.





PACK 7 COMPLETE

