

# OPTIMUS PRIME



# Pack 12: The Matrix of Leadership

BUILD INSTRUCTIONS

**AGORA**  
MODELS®

# Advice from the experts

---

 **Please keep ALL unused screws as they may be required in a later stage.**

Please make sure you don't mix up the screws. They look quite similar, but the threads do vary slightly. Using the wrong screws may damage the parts.

When securing parts together using multiple screws, fit each screw loosely to ensure all the parts are correctly aligned before gently tightening them firmly, but not overtight, in the order in which you placed them.

The screwdriver can be magnetized by stroking it with a magnet (fridge magnet, etc.) enabling it to hold the screws and make assembly easier.

If a screw is tight going into a metal part, do not force it as you may shear the head off. Remove it and put a tiny smear of Vaseline, soap or light oil on the thread. That will lubricate it and make it easier to drive home.

Some parts will require a little glue for assembly. Please apply glue sparingly and use a cocktail stick so that you don't use too much nor apply the glue too heavily. We recommend superglue gel or Extra Thin Liquid modeling glue. Where possible, parts should be test-fitted in place before gluing.



Look out for the glue symbol and apply glue to the red area indicated in the picture.

During the course of this build, you will receive many pieces that you will assemble immediately – following the instructions in the corresponding stage – and other pieces that you should store in the tray supplied, for use in future assembly stages.

Always protect the paint finish on components by placing a cutting mat, sheet of white paper or soft cloth on your work surface.

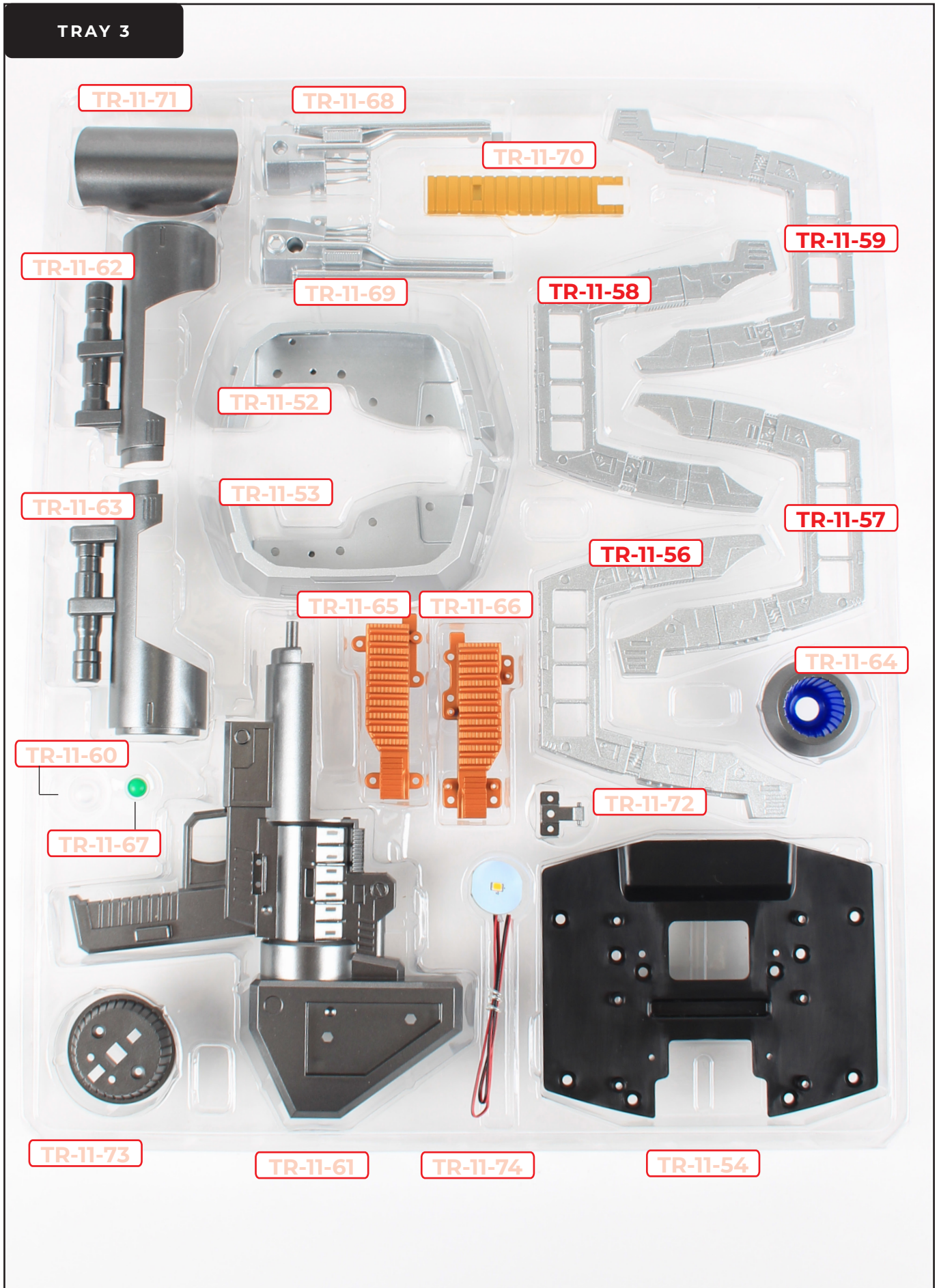
Left and Right! When building your Optimus Prime, the left or right hand side refers to each side as viewed by Optimus Prime. Optimus Prime's left arm is on the viewer's right.



**WARNING:** Some parts are assembled using magnets. These magnets can cause serious injury if they are swallowed. Keep away from children. If you suspect a magnet has been swallowed, seek medical help straight away.

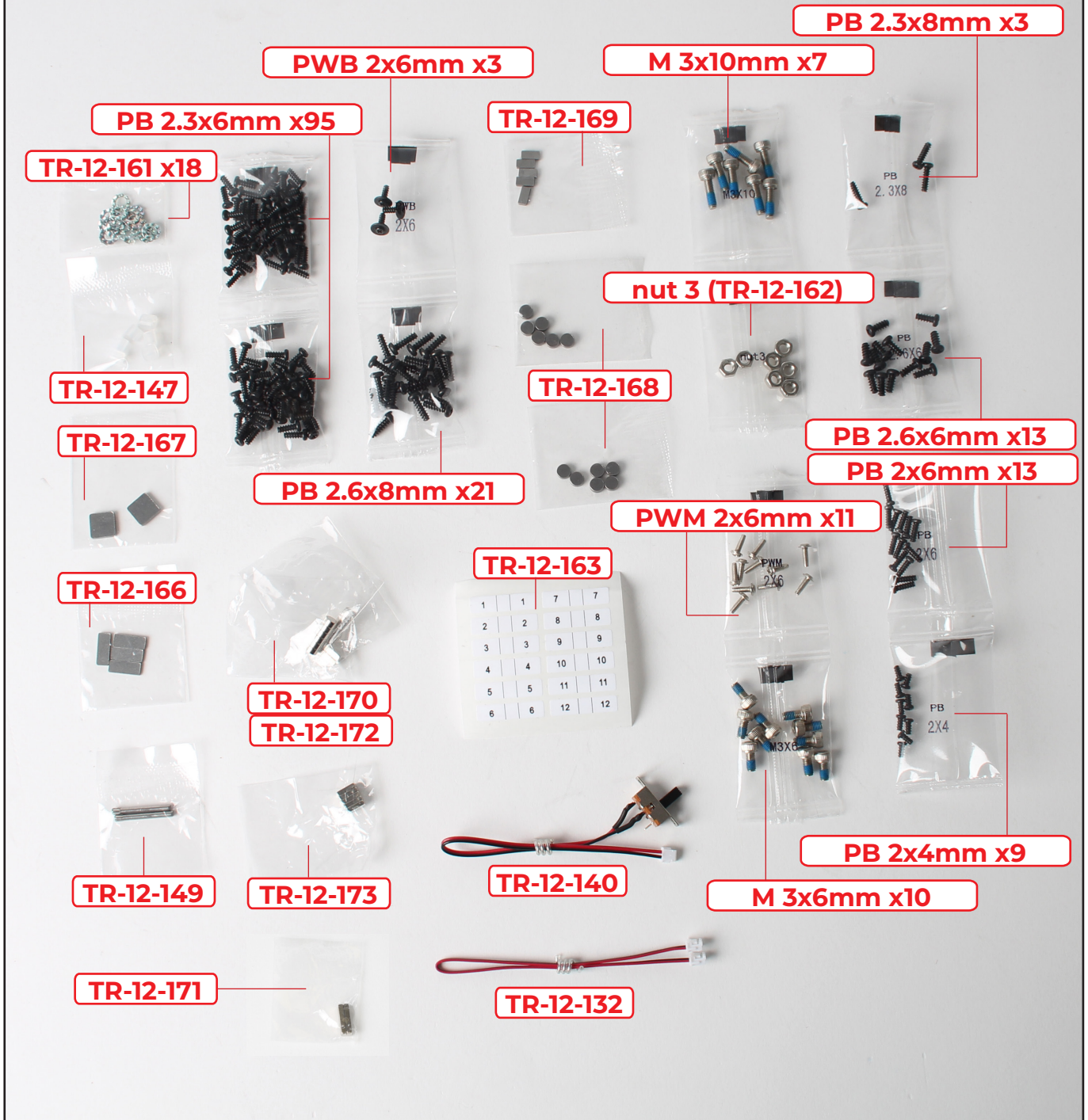
# Pack 11 Parts for the Matrix

TRAY 3

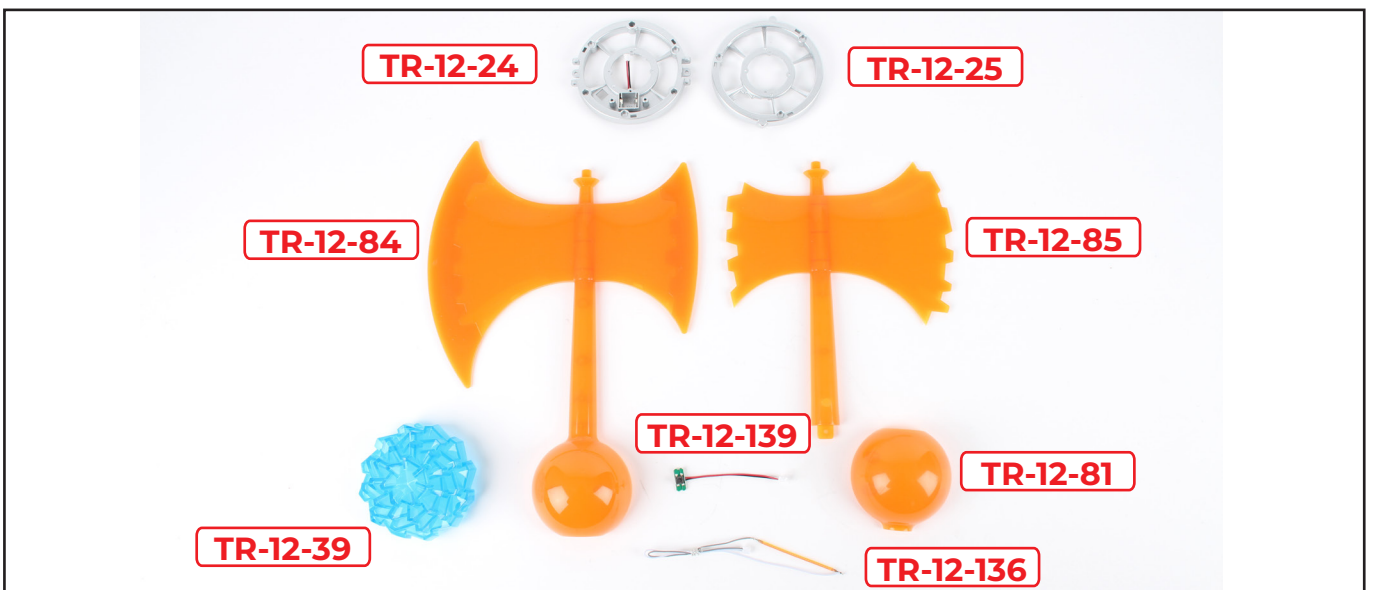
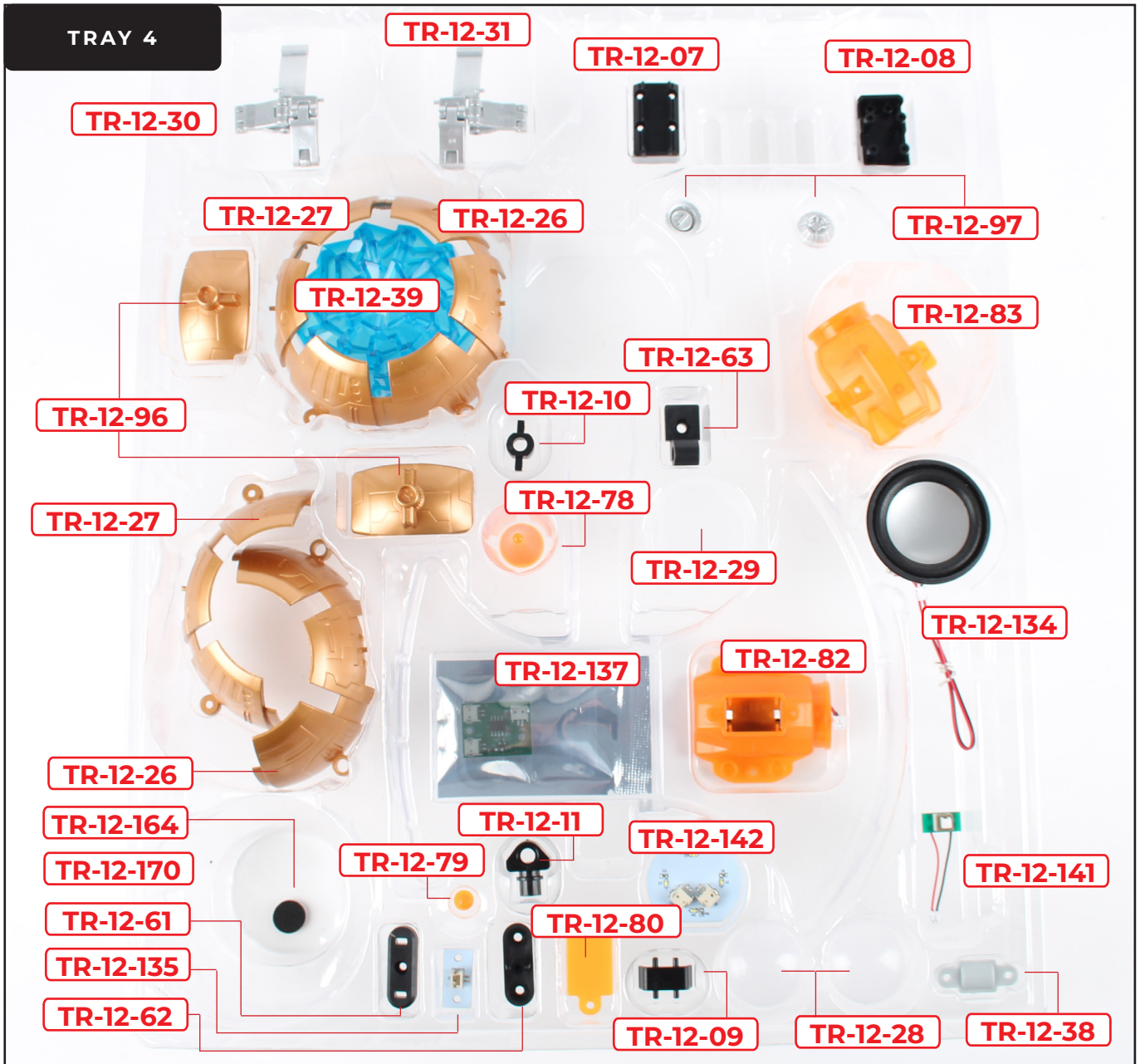


# Pack 12 Parts for the Matrix

## TRAY 2: Screws and Fixings

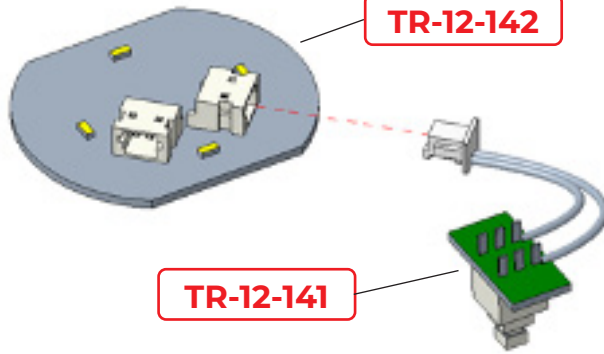


# Pack 12 Parts for the Matrix



# Assembling the Matrix

1



## STEP 1

Plug TR-12-141 into circuit board TR-12-142.

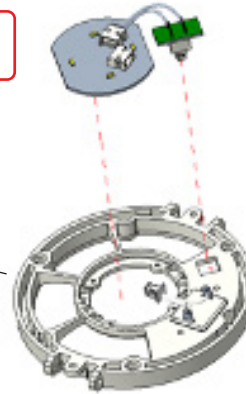
## STEP 2

Attach the assembly 'A' to TR-12-24.

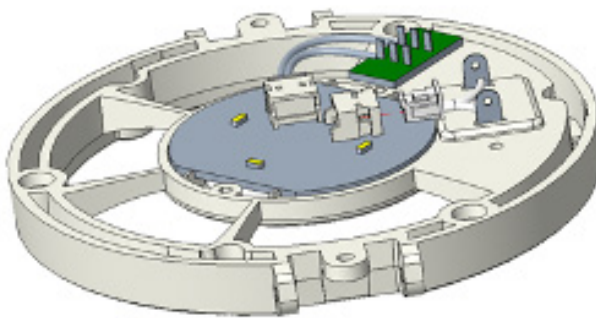
2

A

TR-12-24



3



## STEP 3

Your assembly now looks like this.

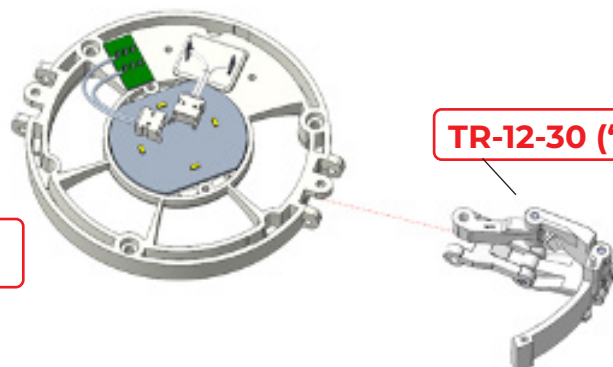
## STEP 4

Attach TR-12-30 to assembly B as shown...

4

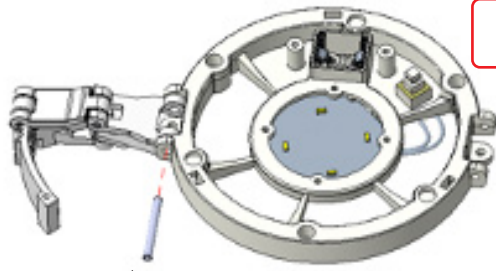
B

TR-12-30 ("1")



# Assembling the Matrix

5



TR-12-149

## STEP 5

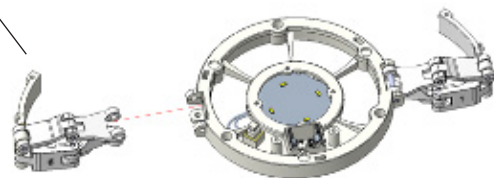
... then secure it by inserting TR-12-149.

## STEP 6

Attach TR-12-31 in the same way...

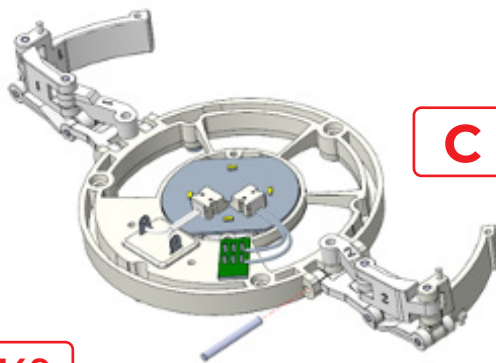
6

TR-12-31 ("2")



B

7



TR-12-149

C

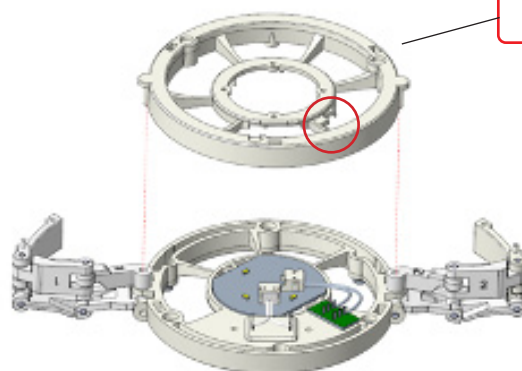
## STEP 7

... and secure it using TR-12-149.

## STEP 8

Place TR-12-25 on top, aligning the notch (circled) with TR-12-141.

8

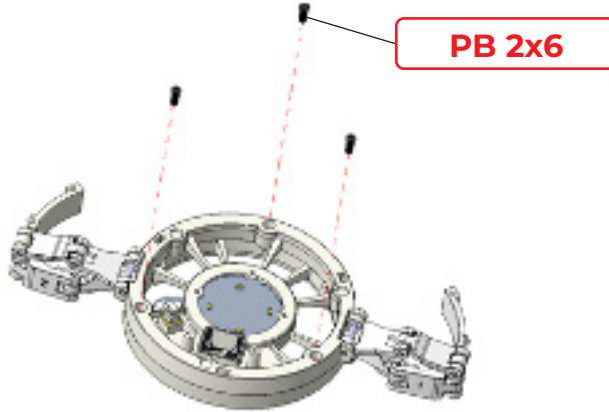


TR-12-25

C

# Assembling the Matrix

9



## STEP 9

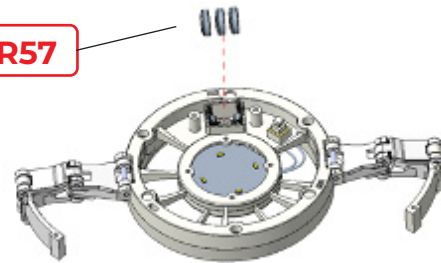
Secure it using 3x PB 2x6 mm screws.

## STEP 10

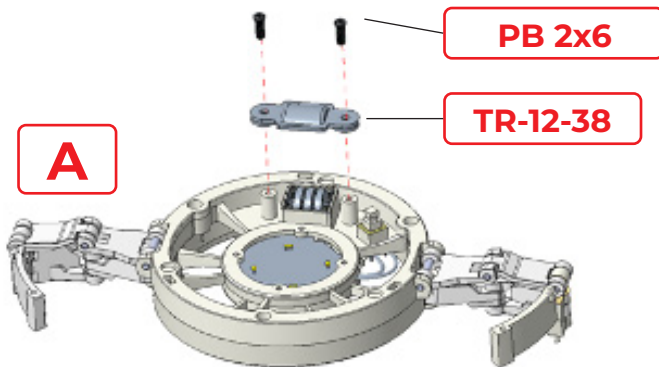
Install 3x batteries type AG7/LR57.

10

Battery AG7/LR57



11



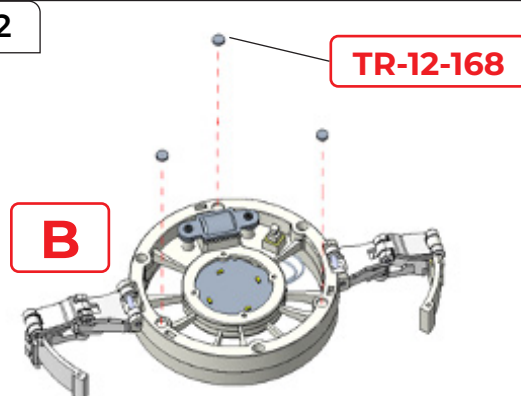
## STEP 11

Attach TR-12-38 to assembly A, then secure using 2x PB 2x6 mm screws.

## STEP 12

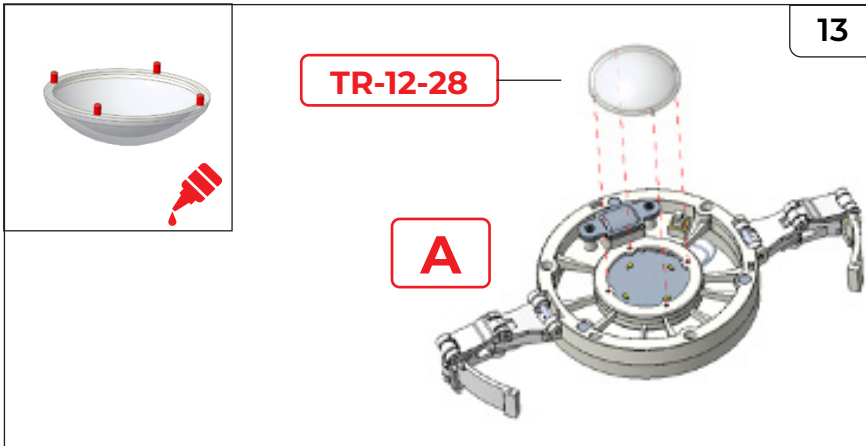
Apply a little glue to the assembly as shown, then fix 3x TR-12-168 into the three recesses.

12





# Assembling the Matrix



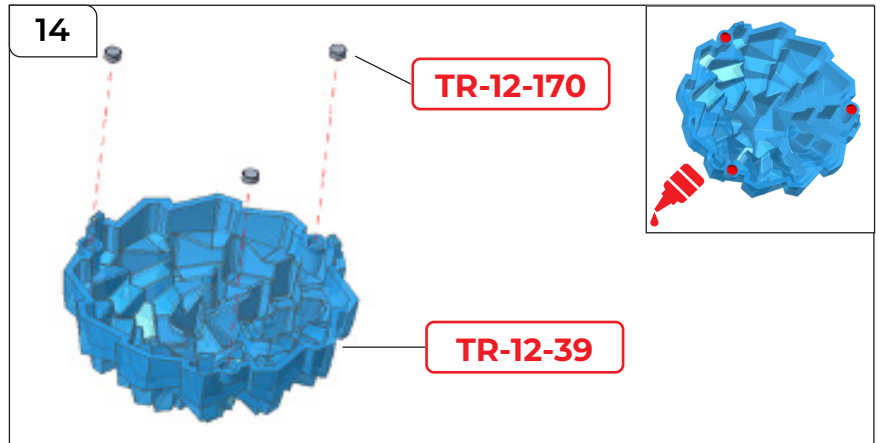
13

## STEP 13

Apply glue to TR-12-28 then fix in place.

## STEP 14

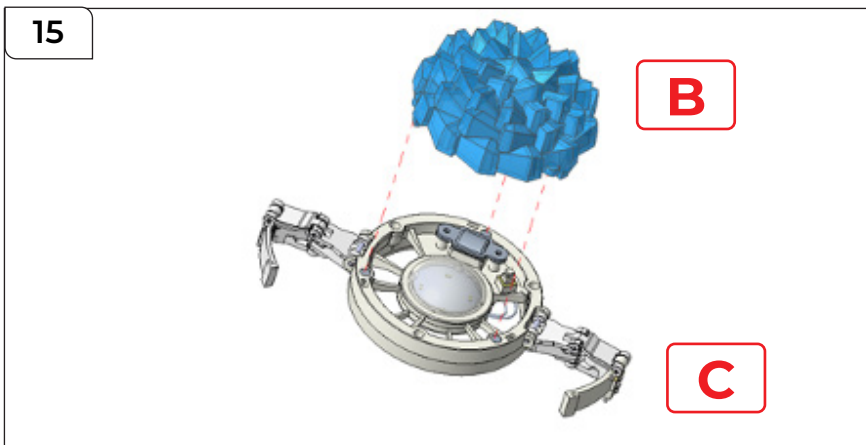
Apply glue to TR-12-39 then attach 3x TR-12-170.



14

TR-12-170

TR-12-39



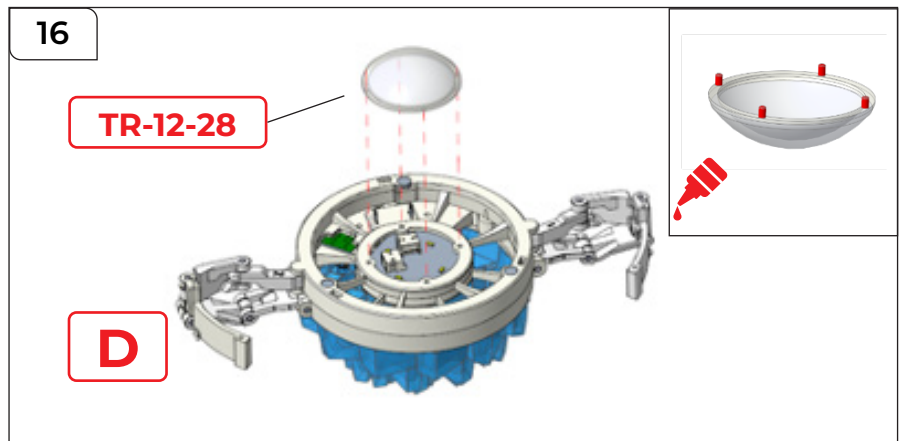
15

## STEP 15

Fit assembly B to assembly C.

## STEP 16

Apply glue to TR-12-28 then fit to assembly D.

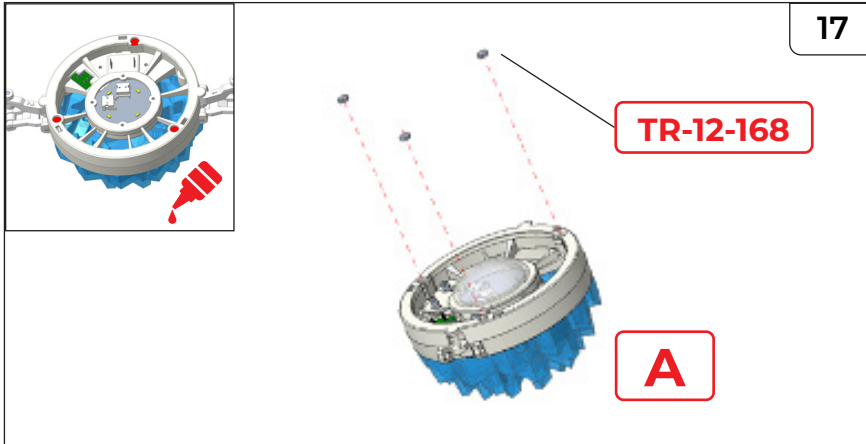


16

TR-12-28

D

# Assembling the Matrix

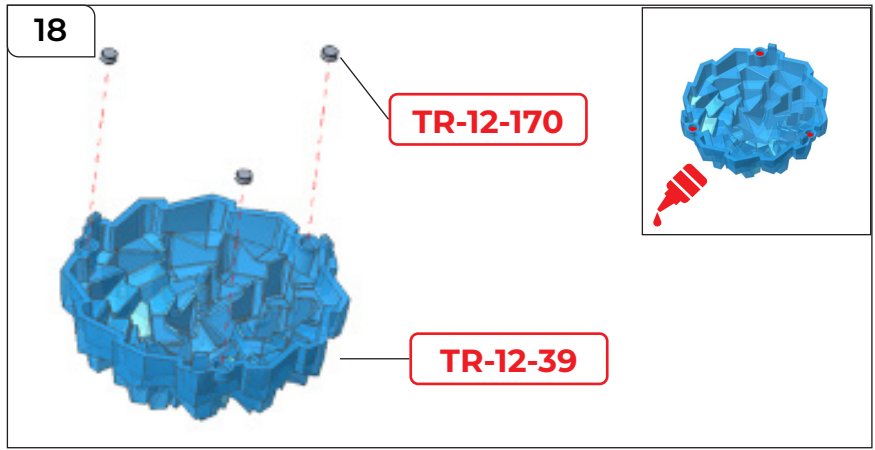


## STEP 17

Apply glue to assembly A as shown then fit 3x TR-12-168.

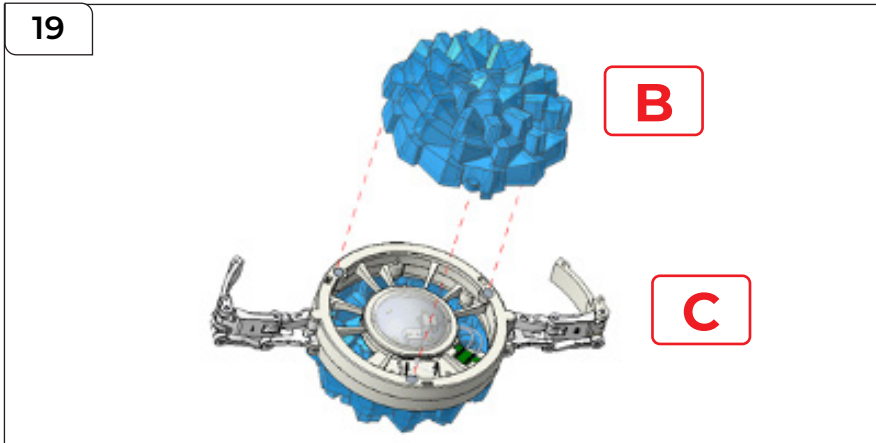
## STEP 18

Glue TR-12-39 then fit 3x TR-12-170.



TR-12-170

TR-12-39

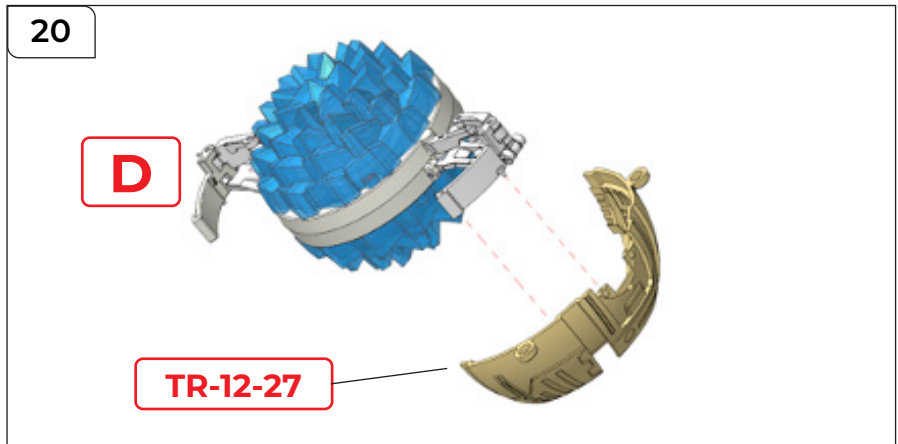


## STEP 19

Attach assembly B to assembly C.

## STEP 20

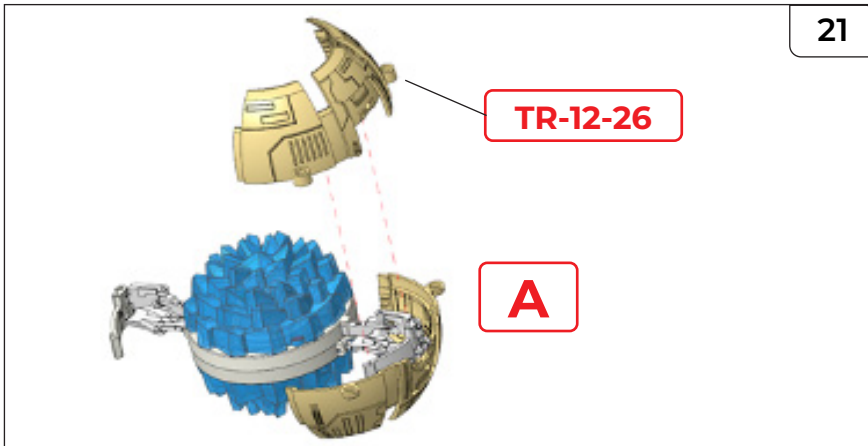
Fit TR-12-27 to assembly D.



D

TR-12-27

# Assembling the Matrix



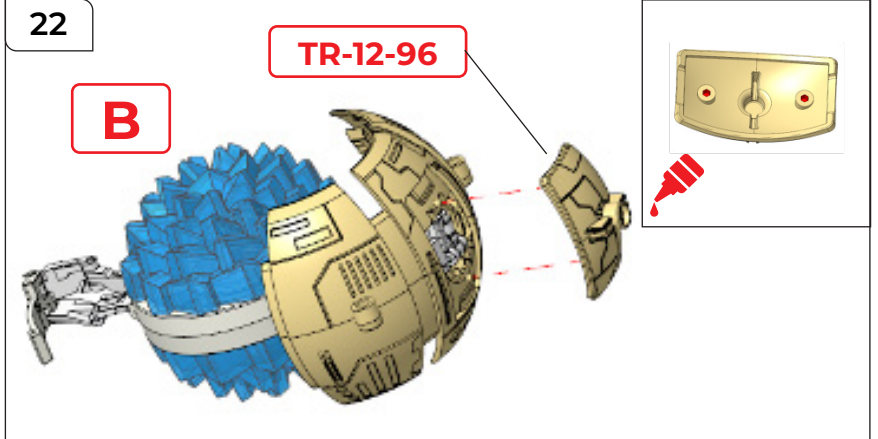
21

## STEP 21

Fit TR-12-26 to assembly A.

## STEP 22

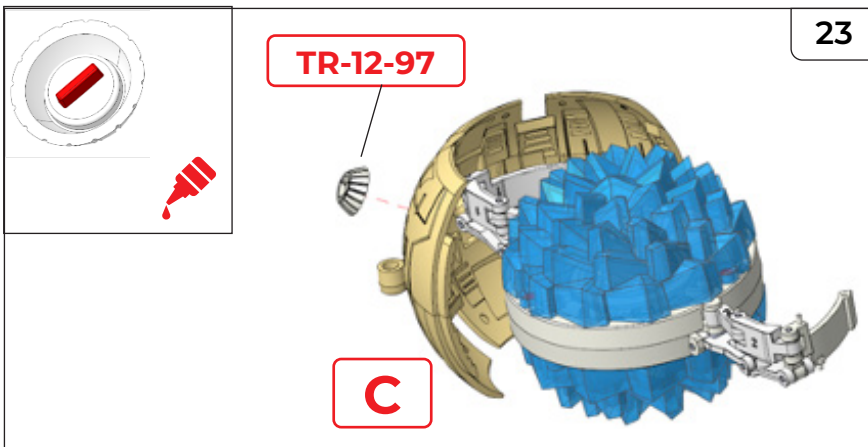
Glue TR-12-96 and fit to assembly B.



22

TR-12-96

B



23

## STEP 23

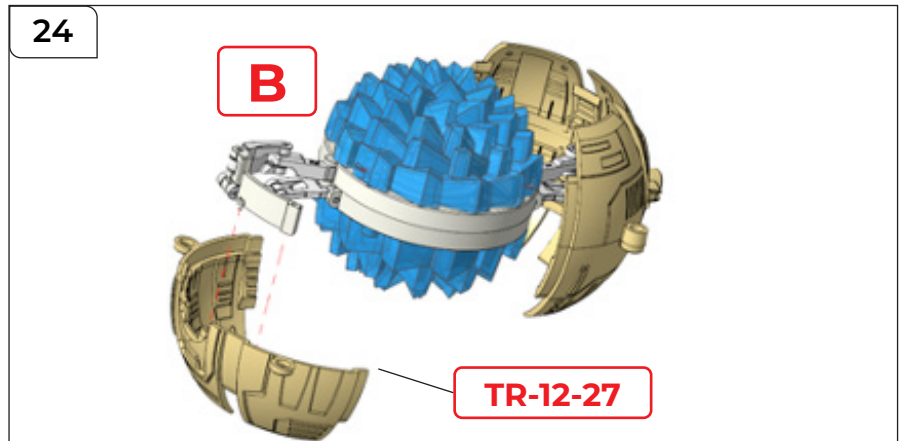
Glue TR-12-97 and fit to assembly C.

TR-12-97

C

## STEP 24

Fit TR-12-27 to assembly B.



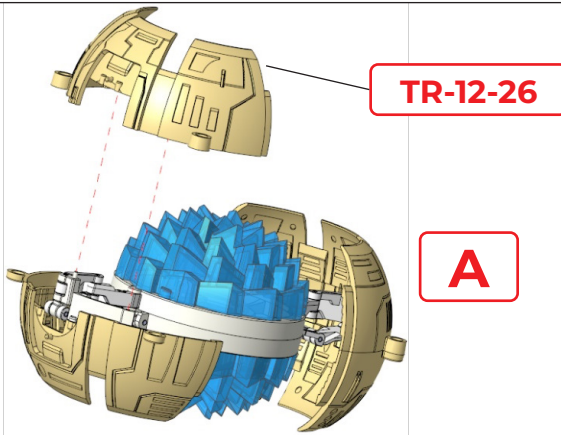
24

B

TR-12-27

# Assembling the Matrix

25



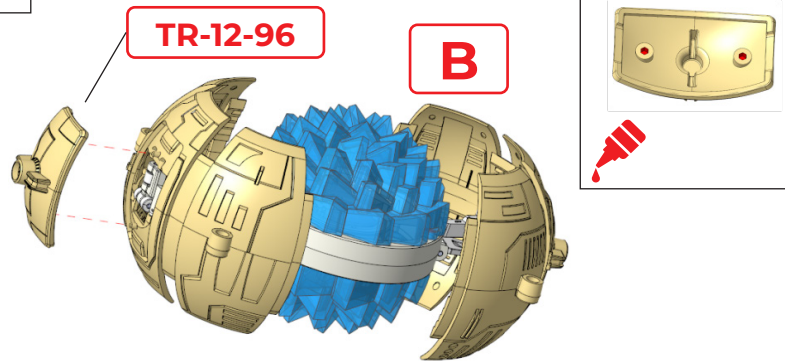
## STEP 25

Fit TR-12-26 to assembly A.

## STEP 26

Glue TR-12-96 and fit to assembly B.

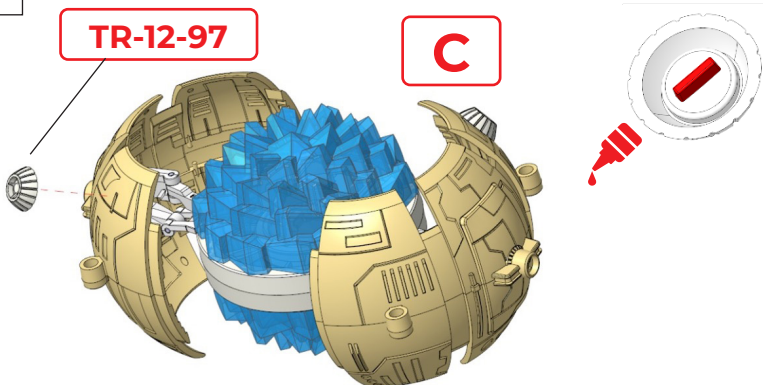
26



27

TR-12-97

C



## STEP 27

Glue TR-12-97 and fit to assembly C.

## STEP 28

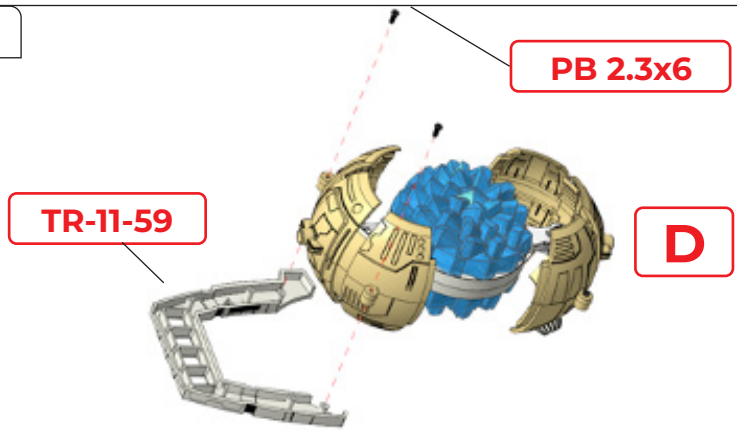
Fit TR-11 59 (from pack 11) to assembly D and secure using 2x PB 2.3x6 mm screws.

28

TR-11-59

PB 2.3x6

D



# Assembling the Matrix

29



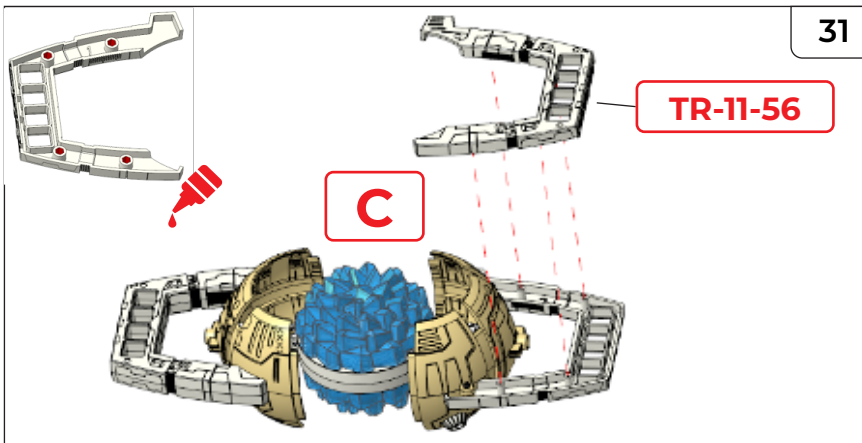
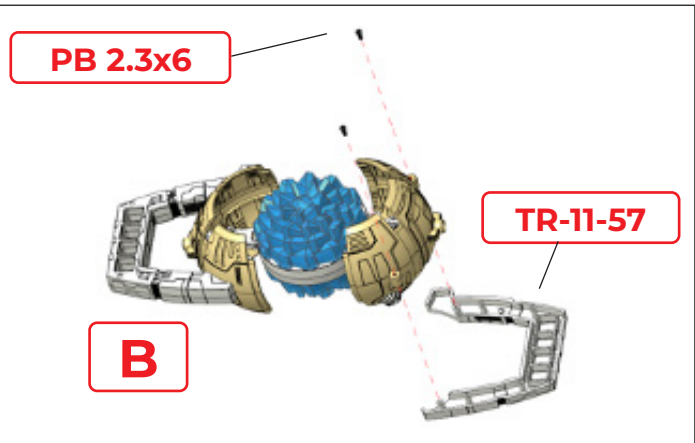
**STEP 29**

Glue TR-11-58 as shown and fit on top of TR-11-59.

**STEP 30**

Fit TR-11-57 to assembly B and secure with 2x PB 2.3x6 mm screws.

30



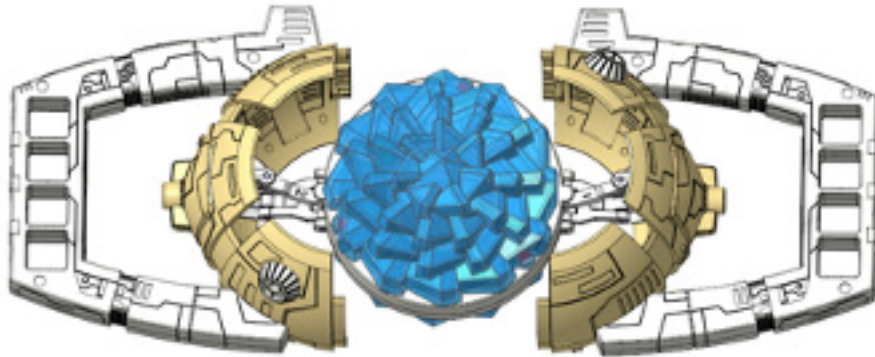
31

**STEP 31**

Glue TR-11-56 and fit on top of TR-11-57.

# Assembling the Matrix

MATRIX OF LEADERSHIP  
COMPLETE



The Matrix of Leadership is an artifact of great power that can be stretched when held aloft...



... and restored to its original form. It is known to convey increased physical power upon its holders.